

xxxxxxx Residence

New York

ARCHITECTURAL WOODWORK SHOP DRAWINGS -(Rev 1)

Scope of Work:

* Gallery Built-in Unit :

Wood: Mahogany; Wood Finish: Satin Clear Lacquer;
Color: Stain medium Mahogany w/ details in dark walnut, Inlay to be a veneer inlay.
Crystal knobs to be used on cabinetry doors
Door Hinges to be 4" Polished Brass w/ Ball catches.
Door Pulls to be provided by SBDG
Interior Cabinetry and Closet shelving by others

* Dining / Bar Buffet Unit :

Wood: Mahogany; Wood Finish: Satin Clear Lacquer;
Color : Stain medium Mahogany w/ details in dark walnut.
Stone top 1.5" thick with "ogee" edge detail by others.
Reading/Bar Side - (3) sections of opening shelving each with (3) adjustable shelves.
Dining Side - (3) sections each with (1) drawer & (2) doors beneath. Behind doors are located (3) pull-out shelves w/ 4" frames.
Pull-Out Shelves and Drawers to be Dovetailed Construction in Solid Mahogany.
All drawers to be lined with felt provided by SMR
Doors to be on finial style butt hinges with ball catches
Drawers and Pull-Outs to all have bottom mount self closing drawer slides
All Pulls to be provided by SBDG.
Stone top 1.5" thick with "ogee" edge detail by others.

* Dining Room China Cabinet :

Wood : Poplar Wood Finish: Painted by SMR multi-layer with blue-greenish finish similar to what is shown in the concept photo.
The 1.5" top between the upper and lower cabinet is to be a stone top with an "ogee" edge - stone top to be provided by others.
Doors to have glass panels with shirred fabric behind (fabric provided by SBDG)
Doors to have finial style butt hinges with ball catches
Upper cabinets to consist of one 34.5" wide center section and two 22" wide end sections
Each Upper cabinet section to have (3) 1" thick solid wood shelves - painted antique white and lined with felt- all adjustable
Lower cabinets to consist of one 34.5" wide center section and two 22" wide end sections
Each Lower cabinet section to have (2) 4" high dovetailed pullouts on full extension, self closing, undermount drawer slides.
Pullouts to be painted antique white and lined with felt

* Powder Room Medicine Cabinet and Full Height Vanity Storage :

Wood - Mahogany; Wood Finish: Satin Clear Lacquer; Color : Stain medium Mahogany.
Both items are to be recessed into the wall with cabinet "fluted and crown details" to overlap drywall opening.
Cabinets to be topcoat finished only on doors and interior due to recess mounting
Both cabinets to have adjustable glass shelves on interior with pin-hole adjustments at 1" intervals.

* Guest Bathroom Vanity :

Wood - Mahogany; Wood Finish: Satin Clear Lacquer; Color : Stain medium Mahogany to Walnut tones
Stone top, sink and plumbing hardware to be provided by others.
Main vanity to have center open doors w/ finial butt hinges and ball catches with two (2) drawers mounted on full extension, bottom mount, self closing drawer slides .
Drawers to be solid maple dovetail construction, stained to match
Vertical pull-out on right to have door face attached to pull-out to maximize storage.
Decorative wood trim that wraps around unit

* Master Bathroom Vanity :

Wood finish: Hand painted custom finish - TBD
Stone top, sink and plumbing hardware to be provided by others.
Double doors under each sink location with (2) 4" high dovetailed pullouts on full extension, self closing, undermount drawer slides.
Drawers to be Solid Poplar Dovetail construction, painted antique white
Three (3) vertical pull-outs located left, right and center of cabinet to have door face attached to pull-out to maximize storage

* Free Standing Bar Cabinet :

Wood - Walnut; Wood Finish: Satin Clear Lacquer; Color : Stain Medium walnut w/ mahogany tones.
Stone top, decorative pulls and shirred fabric to be provided by others.
Four (4) sectioned cabinet on legs with a drawer at the top of each section.
Drawer Faces to be walnut burl veneer; Drawers to be solid Walnut, dovetail construction.
Interior of each section has full extension, bottom mount, self closing drawers.
All drawers to be felt lined.
Doors to be on finial style Butt Hinges, with ball catches
SMR to provide metal mesh that is to be recessed in doors. SBDG will provide fabric to shirr behind each mesh panel.
Raised side panels of cabinet to have walnut burl veneer stained to match cabinet

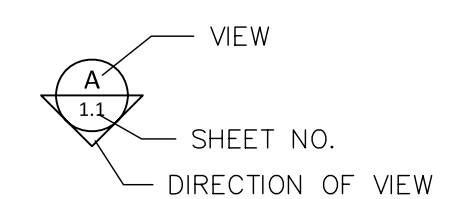
* Built-in Bookcase :

Wood - Mahogany; Wood Finish: Satin Clear Lacquer; Color : Stain medium Mahogany to walnut tones.
Cabinet styling to be taken from same photo used for Powder Room units shown on Page # 7 of the "Cabinetry PDF".
Quad Outlet and Cable Line to be located inside cabinet
(2) pull out adjustable shelves in lower cabinet
Please note locations for ventilation slits for storage of A/V equipment tbd once A/V equipment proposal is approved by client

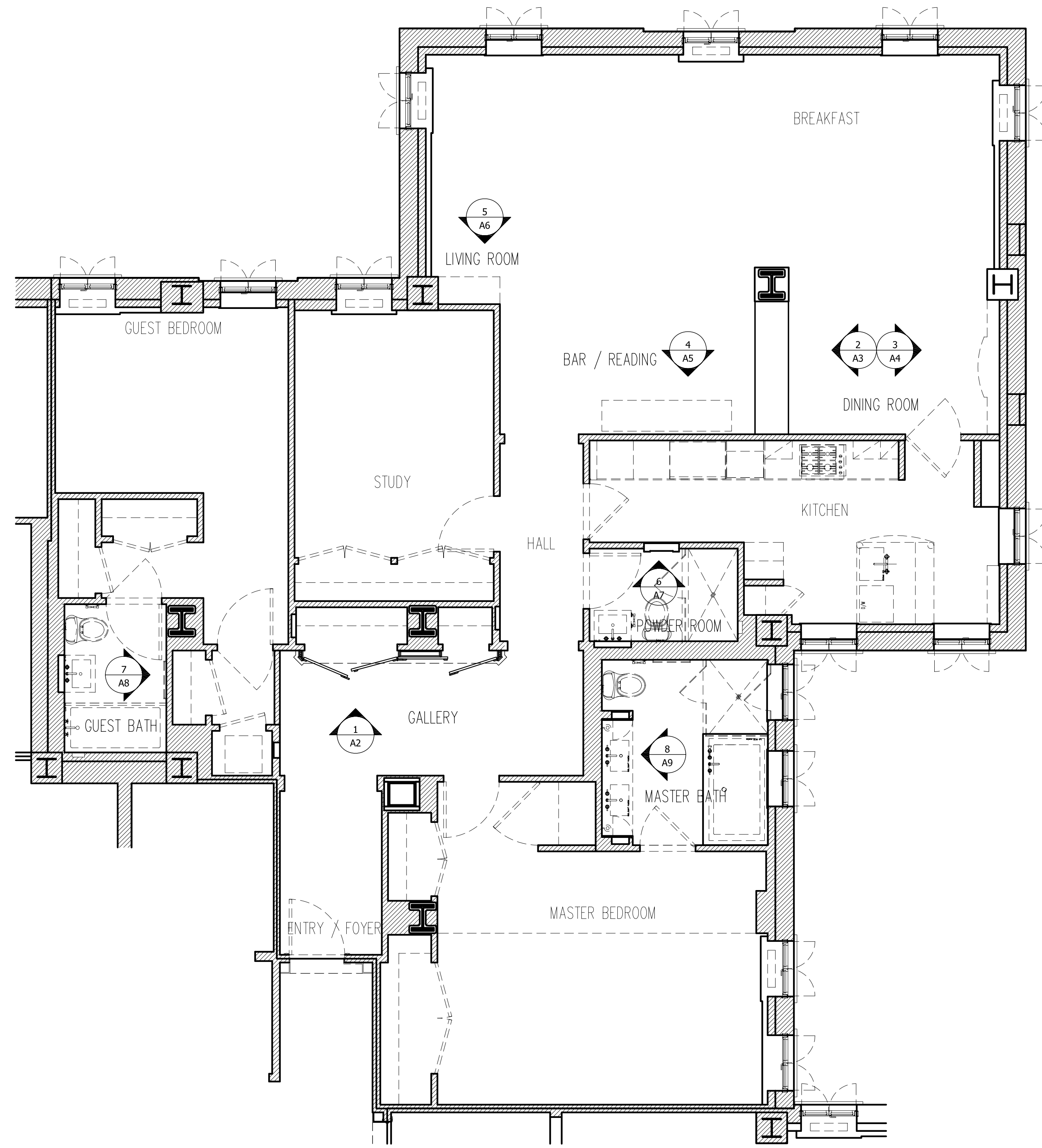
Notes and Clarifications:

-All hinges to be finial style butt hinges with ball catches unless noted.
Option available to mount finial style hinge as a decorative non functioning hinge on door and for hinge to be European style self closing hinges
-All drawers to be solid dovetail construction, finished to match
-All shelves to be solid wood

LEGEND:



TITLE SHEET A0
OF 14

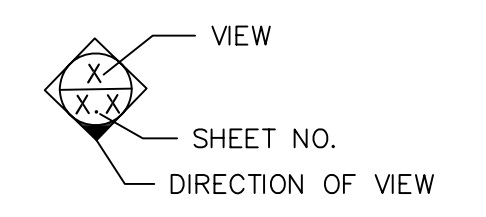


FLOOR PLAN
 SCALE: 1/4" = 1'-0" ARCH. REF: A1-1.4

General Notes

SHOP NOTES:

LEGEND:



Drawn by Nemo K.

No.	Revision/Issue	Date

Firm Name and Address:

xxxxxxxxxxxxxxxxxxxx will not be liable for any errors occurring to other trades through the use of these schedules or detail drawings or dimensions. All dimensions to be verified by field measurement prior to fabrication.

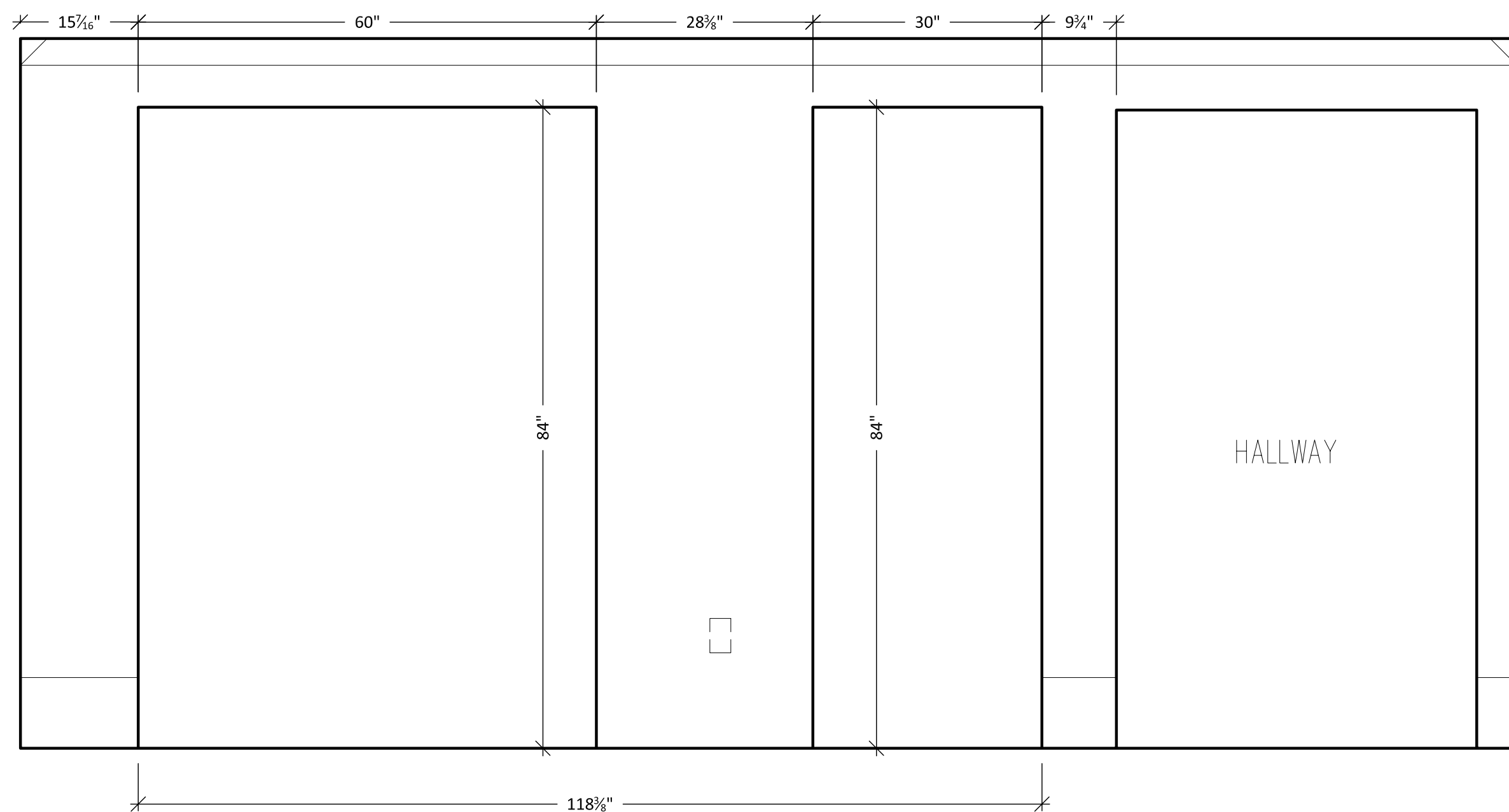
DRAWING RECORD

ARCHITECT: xxxxxxxxxxxxxxxxxxxxxxxxxxxxxxx

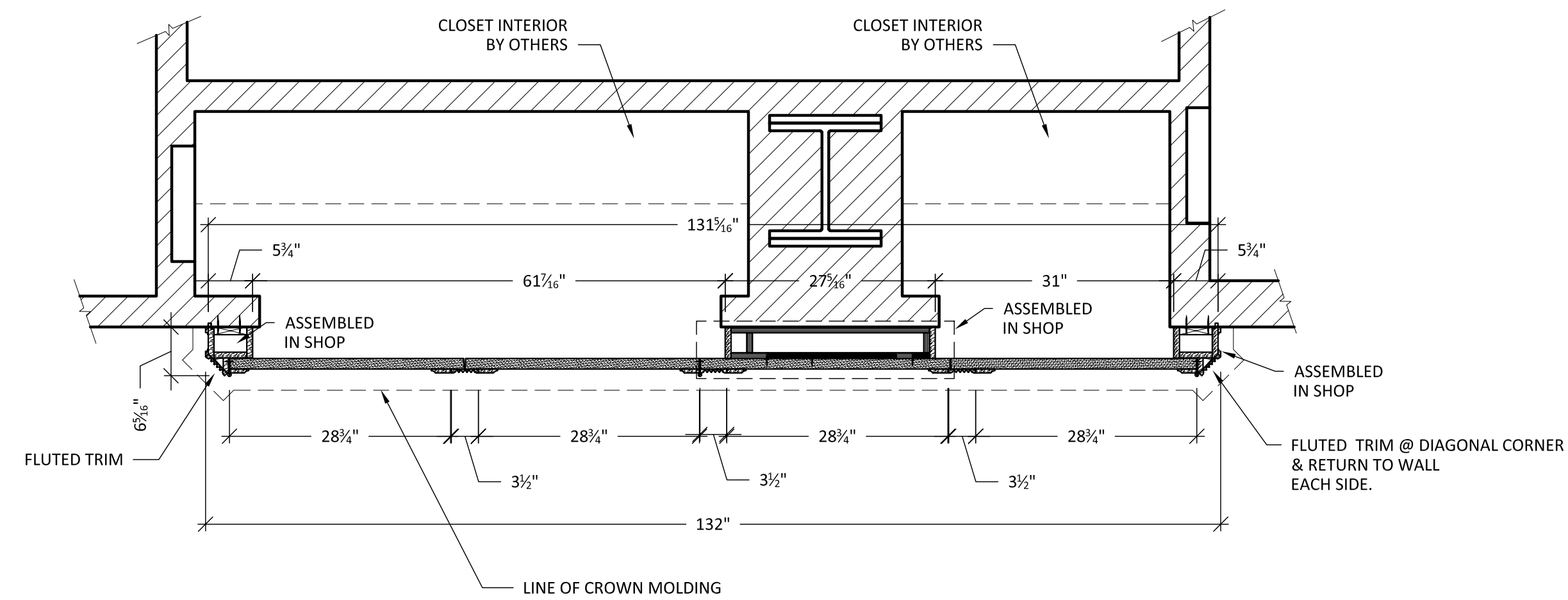
CONTRACTOR:

Project Name and Address:
 xxxxxxxxxx Residence
 New York, New York.

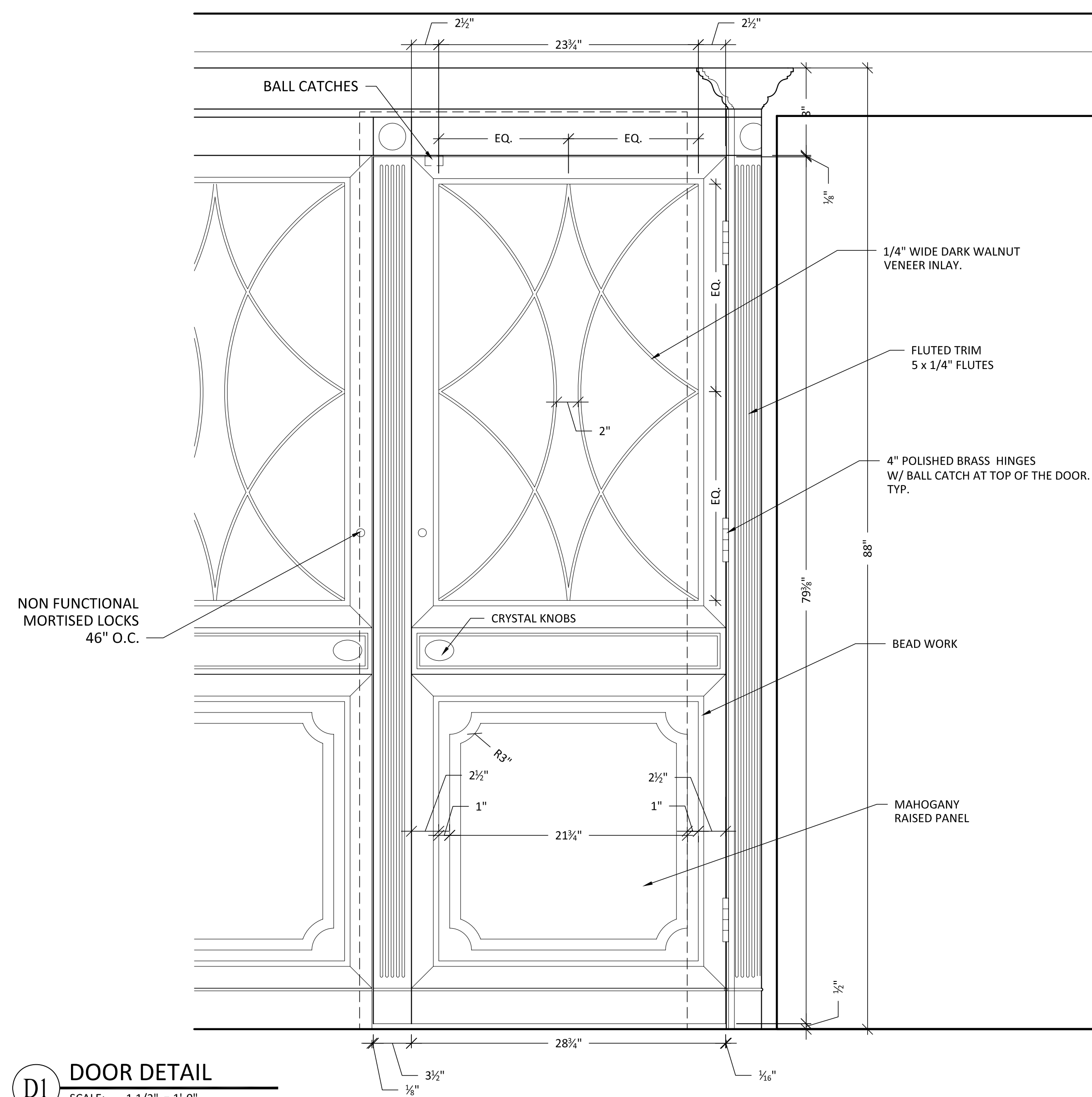
Project:	Sheet:
Date: 2-01-08	A1
JOB # :	



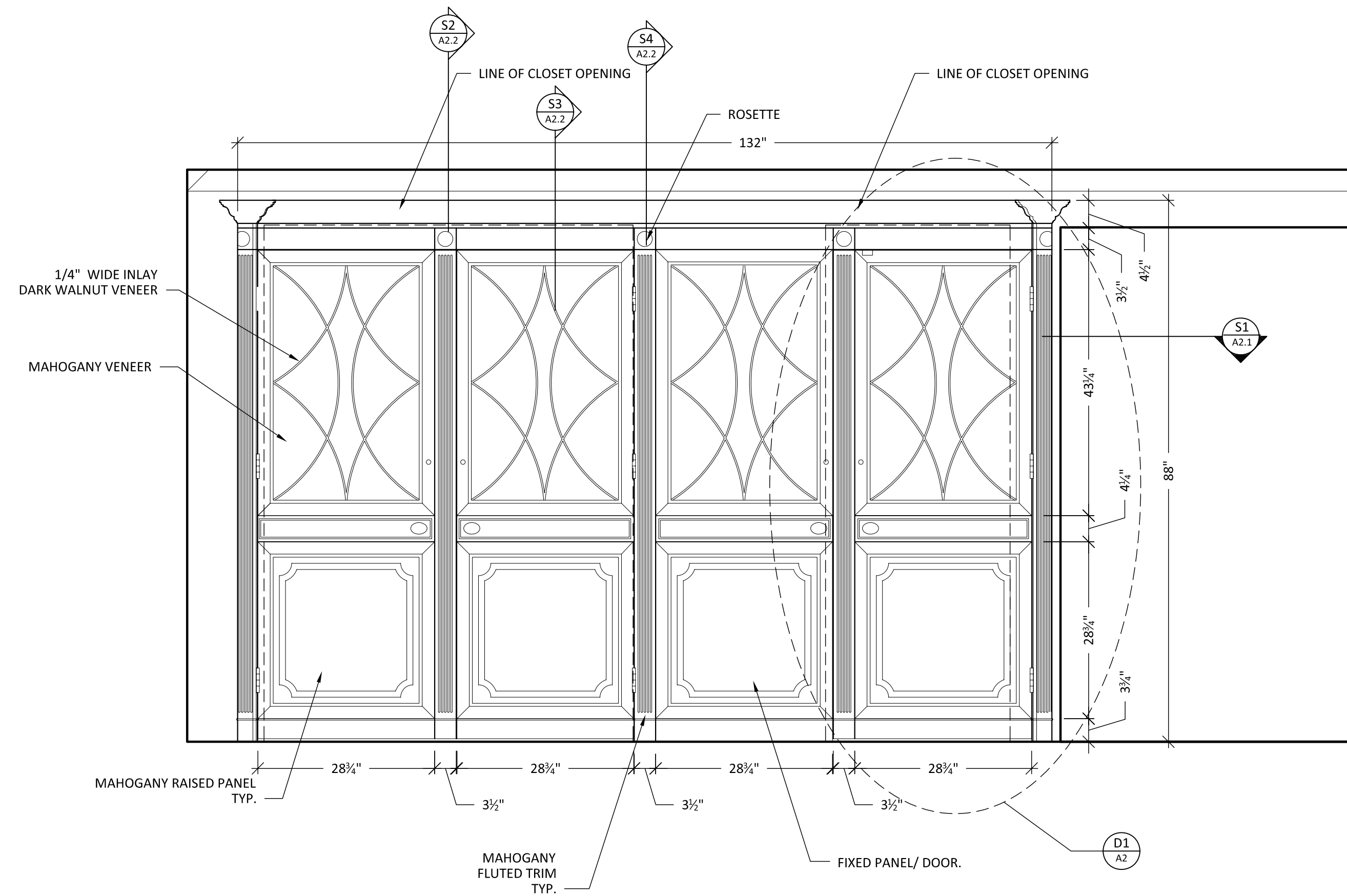
X2 ELEVATION-CLOSET OPENING
SCALE: 3/4" = 1'-0"



1 PLAN-GALLERY BUILT-IN UNIT
SCALE: 3/4" = 1'-0"



D1 DOOR DETAIL
SCALE: 1 1/2" = 1'-0"



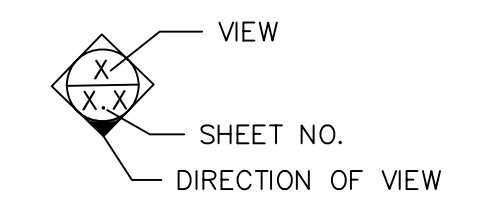
2 ELEVATION
SCALE: 3/4" = 1'-0"

General Notes

SHOP NOTES:

Wood: Mahogany.
 Wood Finish: Satin Clear Lacquer;
 Color: Stain medium Mahogany w/
 details in dark walnut, Inlay to be a
 veneer inlay.
 Door Pulls: Crystal knobs
 Door Hinges to be 4" Polished Brass w/
 Ball catches.
 Door Pulls to be provided by SBDG.
 Interior Cabinetry and Closet shelving
 by others.

LEGEND:



Drawn by Nemo K.

No.	Revision/Issue	Date
1	PER MARKUP	4-23

Firm Name and Address:

xxxxxxxxxxxxxxxxxxxx will not be liable
 for any errors occurring to other trades
 through the use of these schedules or
 detail drawings or dimensions.
 All dimensions to be verified by field
 measurement prior to fabrication.

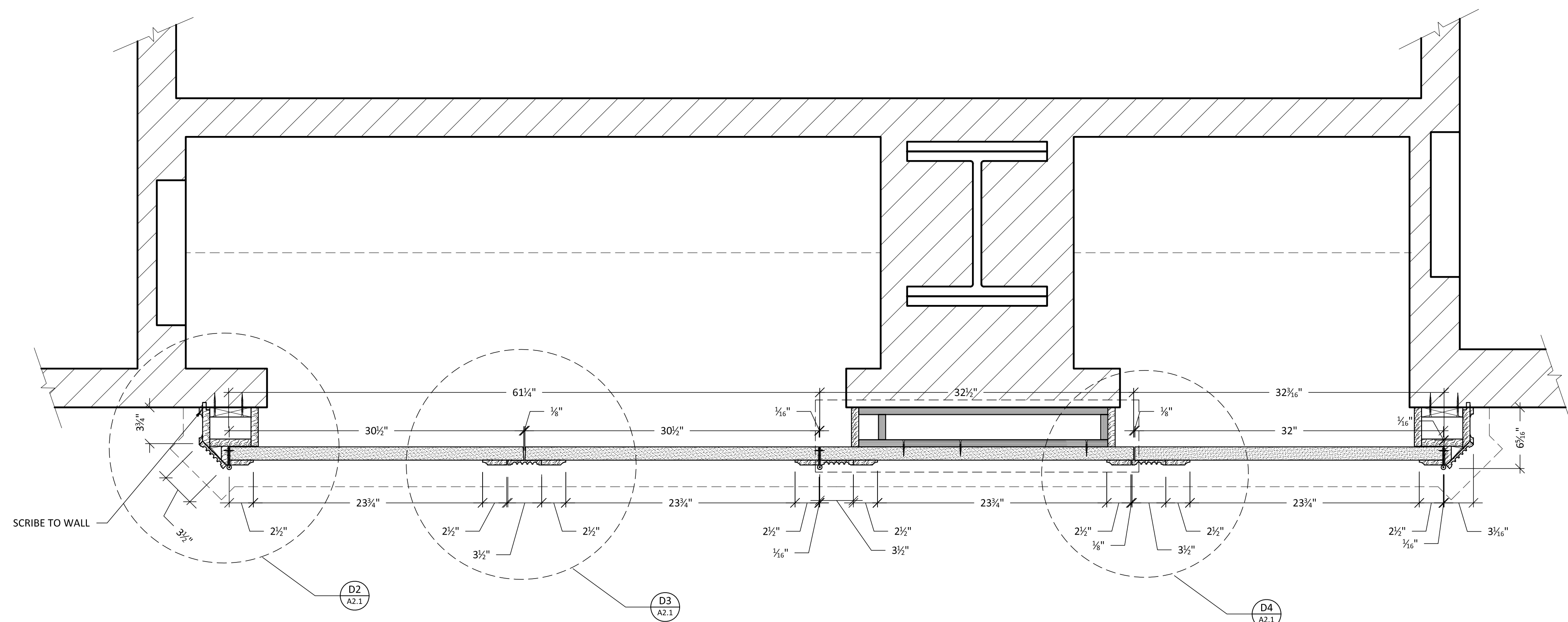
DRAWING RECORD

ARCHITECT: xxxxxxxxxxxxxxxxxxxxxxxxxxxxxxx

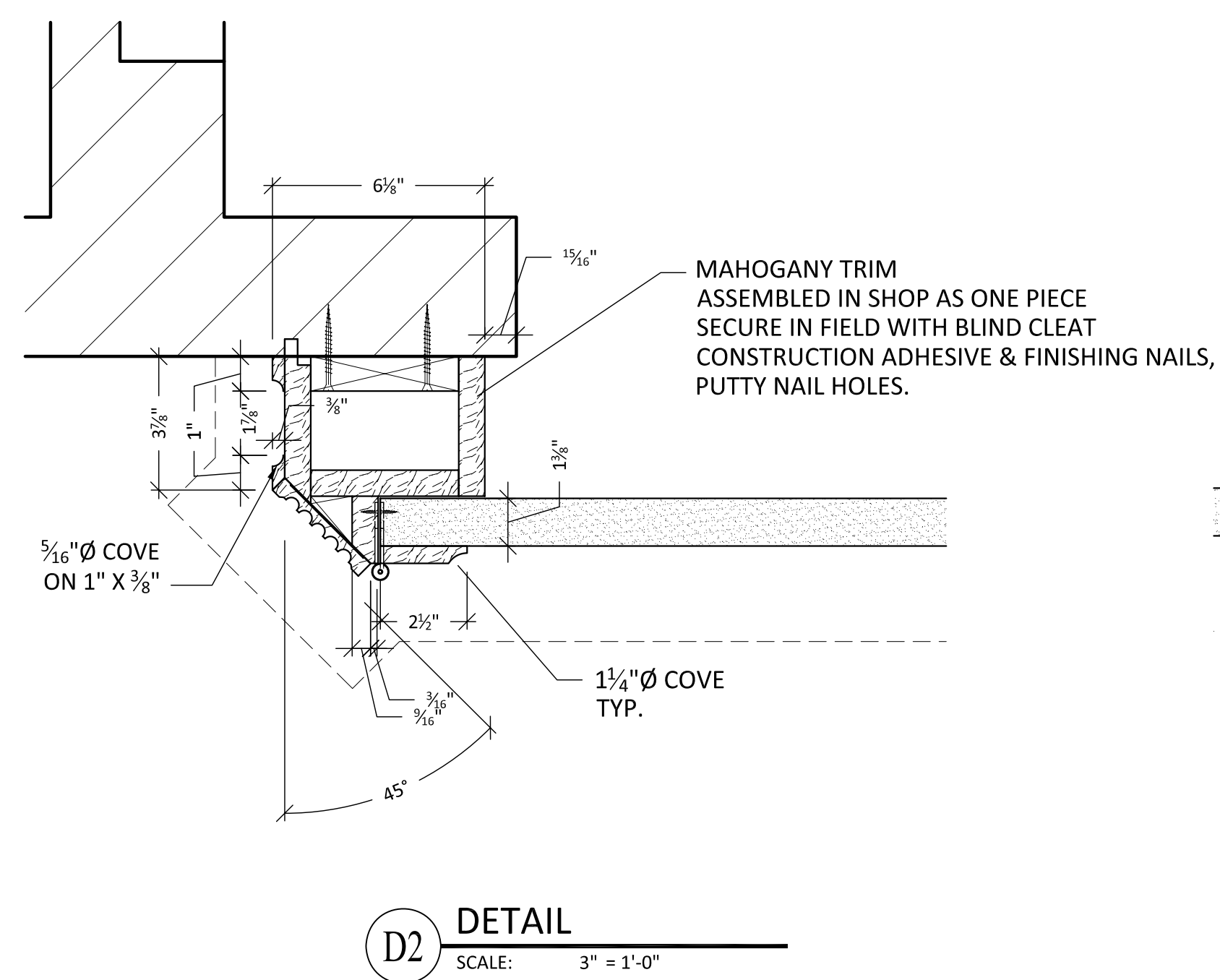
CONTRACTOR:

Project Name and Address:
 xxxxxxxxxxx Residence
 New York, New York.

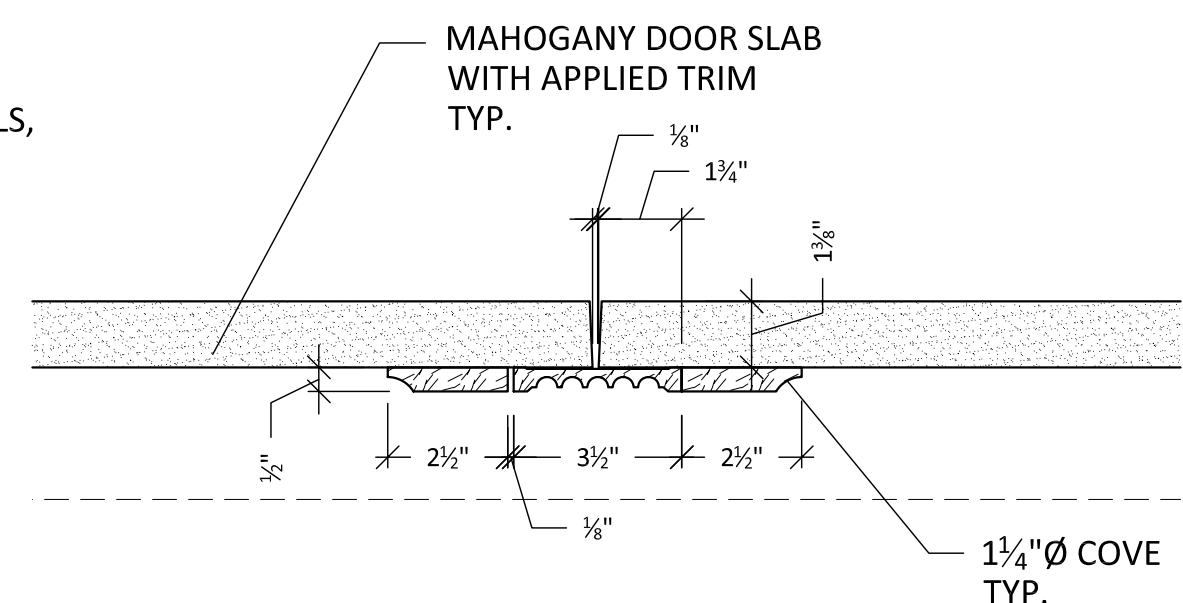
Project:	Sheet:
Date: 2-01-08	A2
JOB # :	



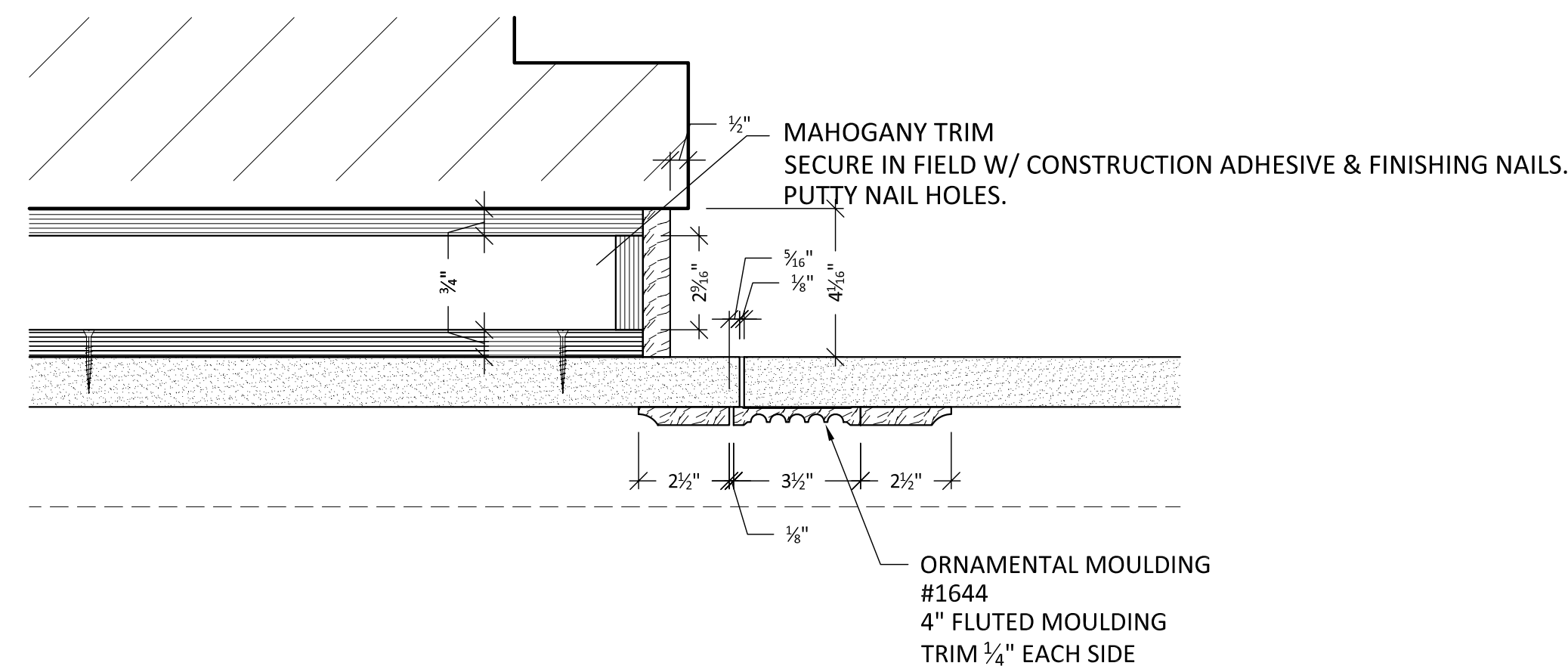
S1 HORIZONTAL SECTION
SCALE: 1 1/2" = 1'-0"



D2 DETAIL
SCALE: 3" = 1'-0"



D3 DETAIL
SCALE: 3" = 1'-0"



D4 DETAIL
SCALE: 3" = 1'-0"

General Notes

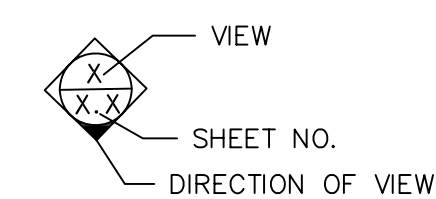
SHOP NOTES:

Wood: Mahogany.
Wood Finish: Satin Clear Lacquer;
Color: Stain medium Mahogany w/ details in dark walnut, inlay to be a veneer inlay.

Door Pulls: Crystal knobs
Door Hinges to be 4" Polished Brass w/ Ball catches.
Door Pulls to be provided by SBDG.

Interior Cabinetry and Closet shelving by others.

LEGEND:



Drawn by Nemo K.

No.	Revision/Issue	Date
1	PER MARKUP	4-23

Firm Name and Address:

xxxxxxxxxxxxxxxxxxx will not be liable for any errors occurring to other trades through the use of these schedules or detail drawings or dimensions.
All dimensions to be verified by field measurement prior to fabrication.

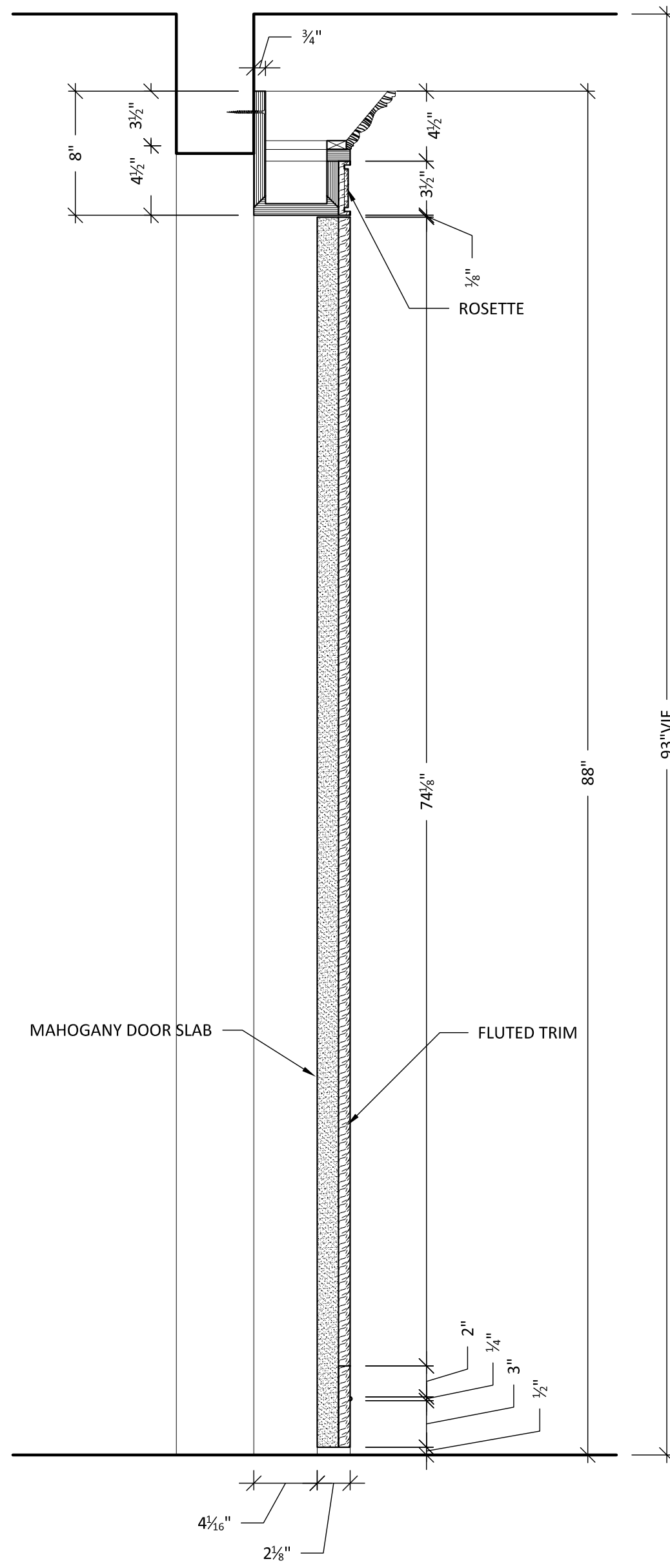
DRAWING RECORD

ARCHITECT: xxxxxxxxxxxxxxxxxxxxxxxxxxxx

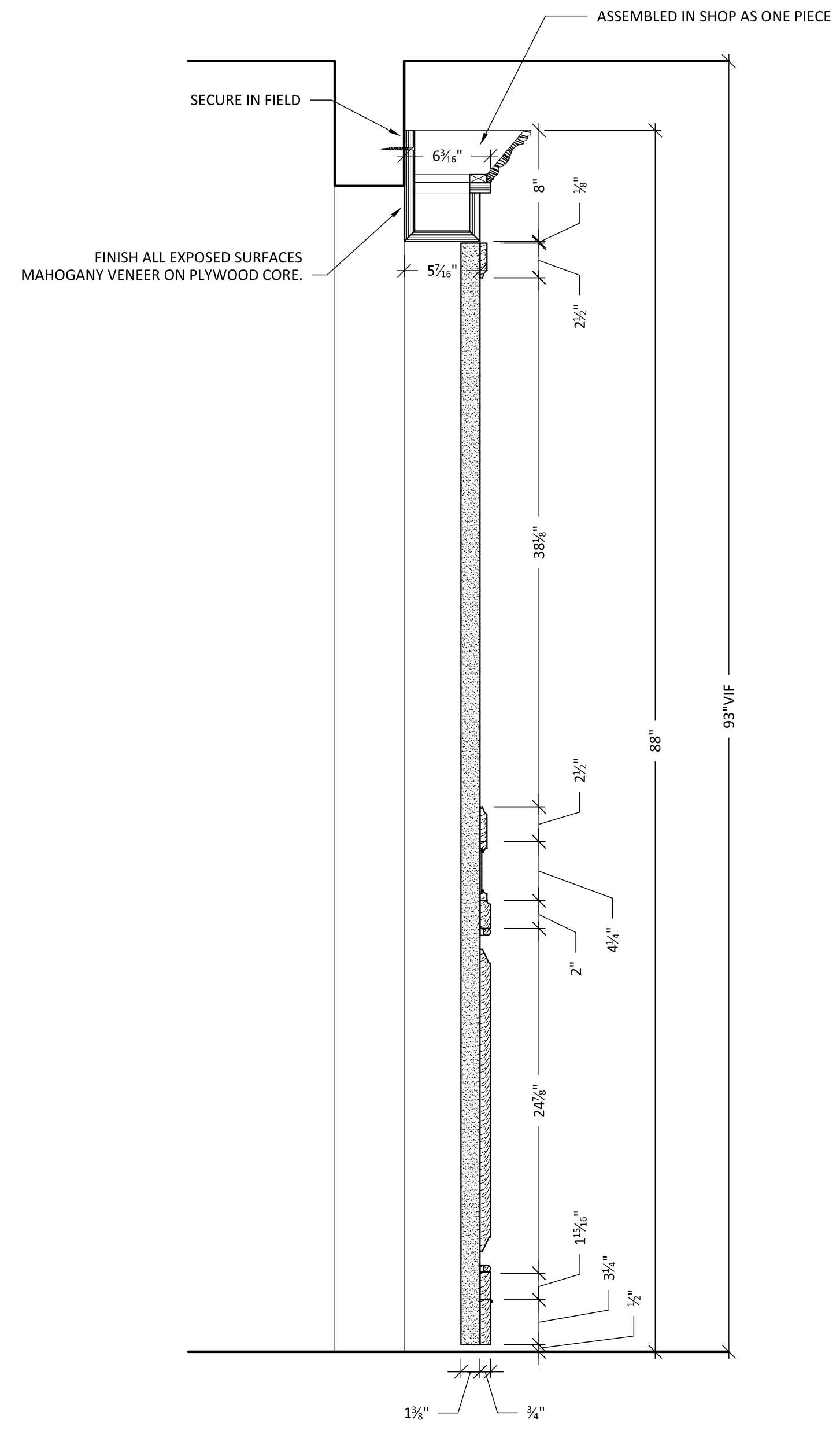
CONTRACTOR:

Project Name and Address:
xxxxxxxxxx Residence
New York, New York.

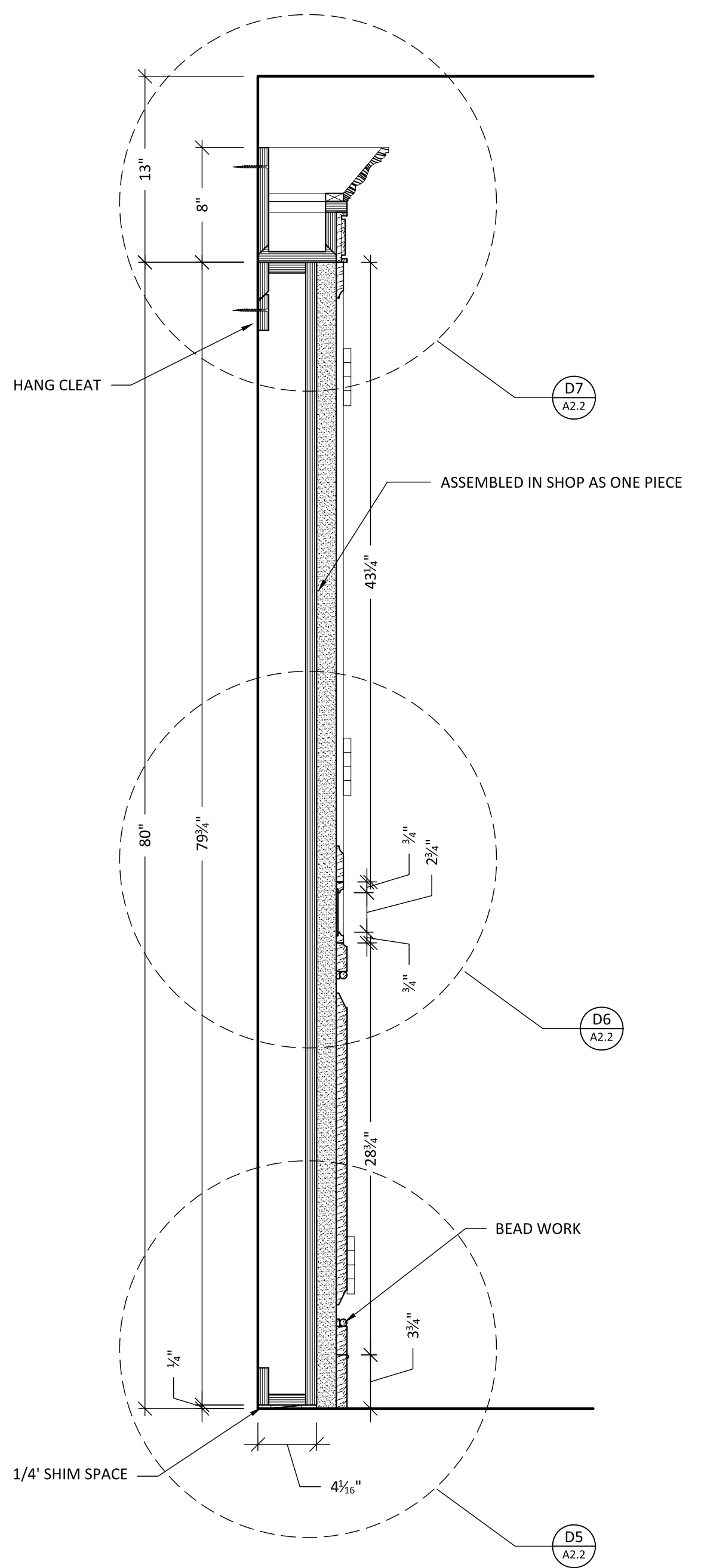
Project:	Sheet:
Date: 2-01-08	A2.1
JOB # :	*



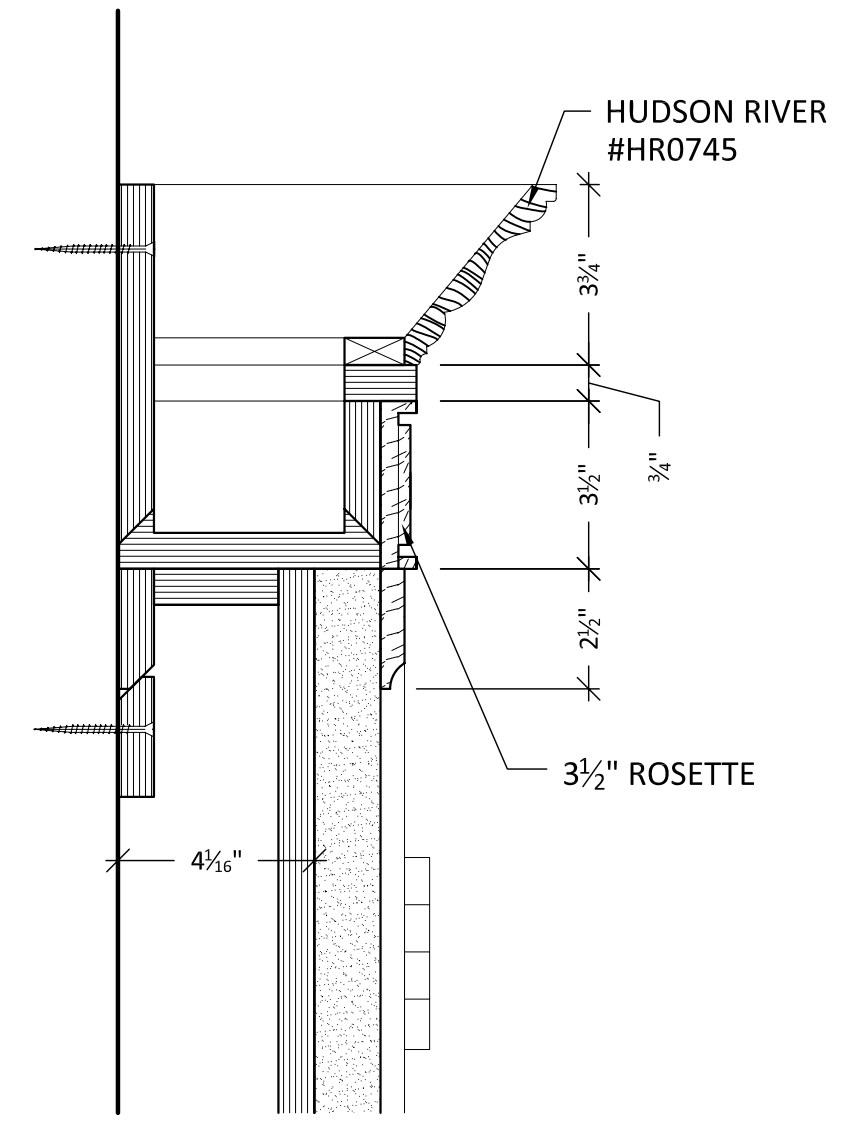
S2 SECTION
SCALE: 1 1/2" = 1'-0"



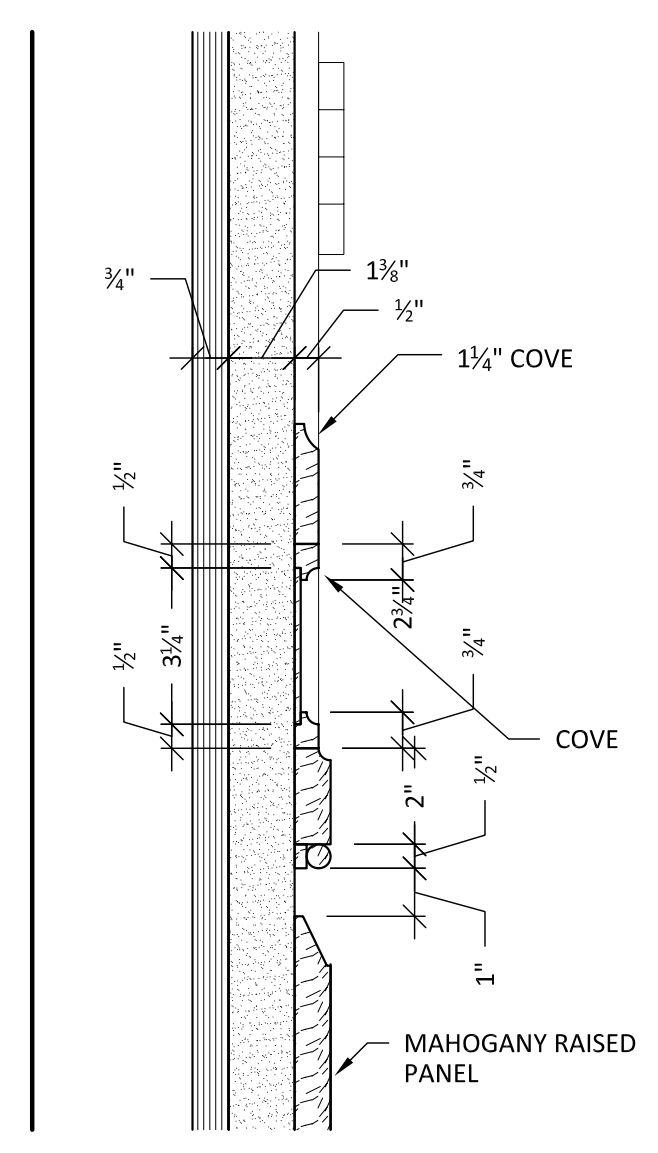
S3 SECTION
SCALE: 1 1/2" = 1'-0"



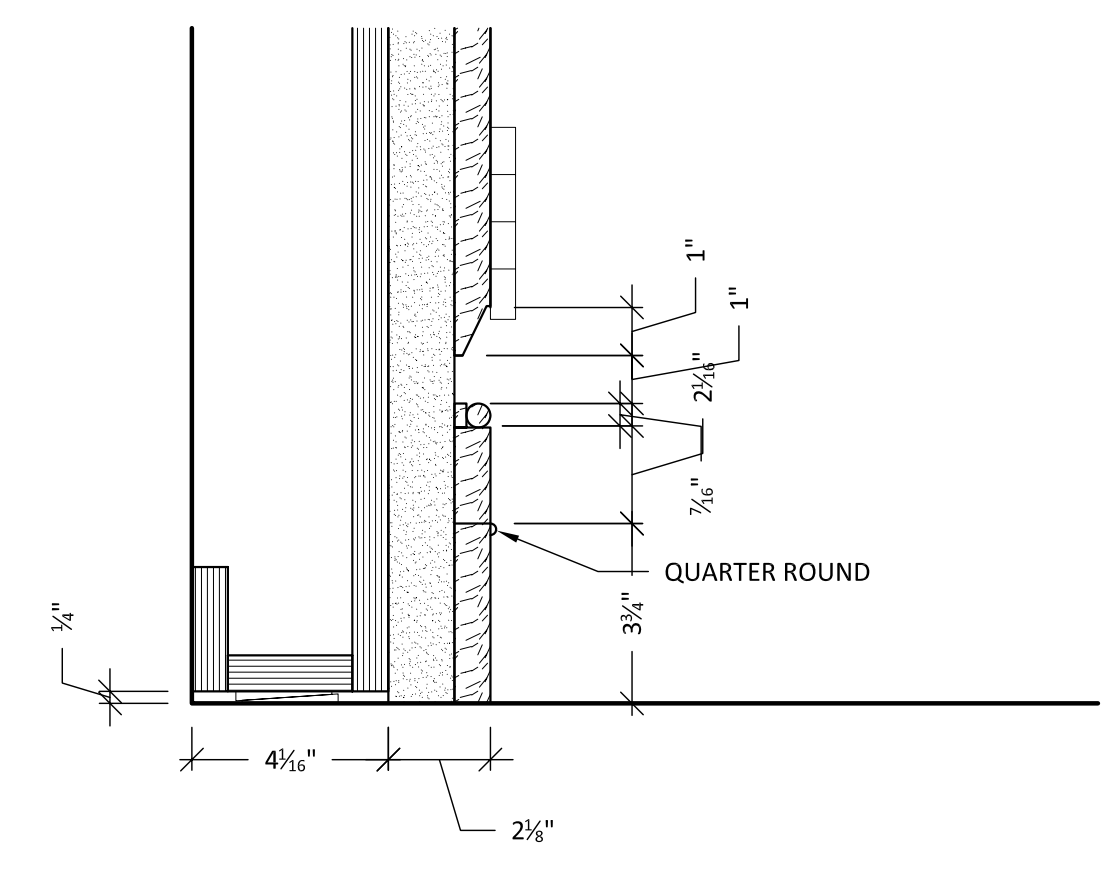
S4 SECTION
SCALE: 1 1/2" = 1'-0"



D7 DETAIL
SCALE: 3" = 1'-0"



D6 DETAIL
SCALE: 3" = 1'-0"



D5 DETAIL
SCALE: 3" = 1'-0"

General Notes

SHOP NOTES:
 Wood: Mahogany.
 Wood Finish: Satin Clear Lacquer;
 Color: Stain medium Mahogany w/ details in dark walnut, Inlay to be a veneer inlay.
 Door Pulls: Crystal knobs
 Door Hinges to be 4" Polished Brass w/ Ball catches.
 Door Pulls to be provided by SBDG.
 Interior Cabinetry and Closet shelving by others.

LEGEND:

VIEW
 SHEET NO.
 DIRECTION OF VIEW

Drawn by Nemo K.

No.	Revision/Issue	Date
1	PER MARKUP	4-23

Firm Name and Address:

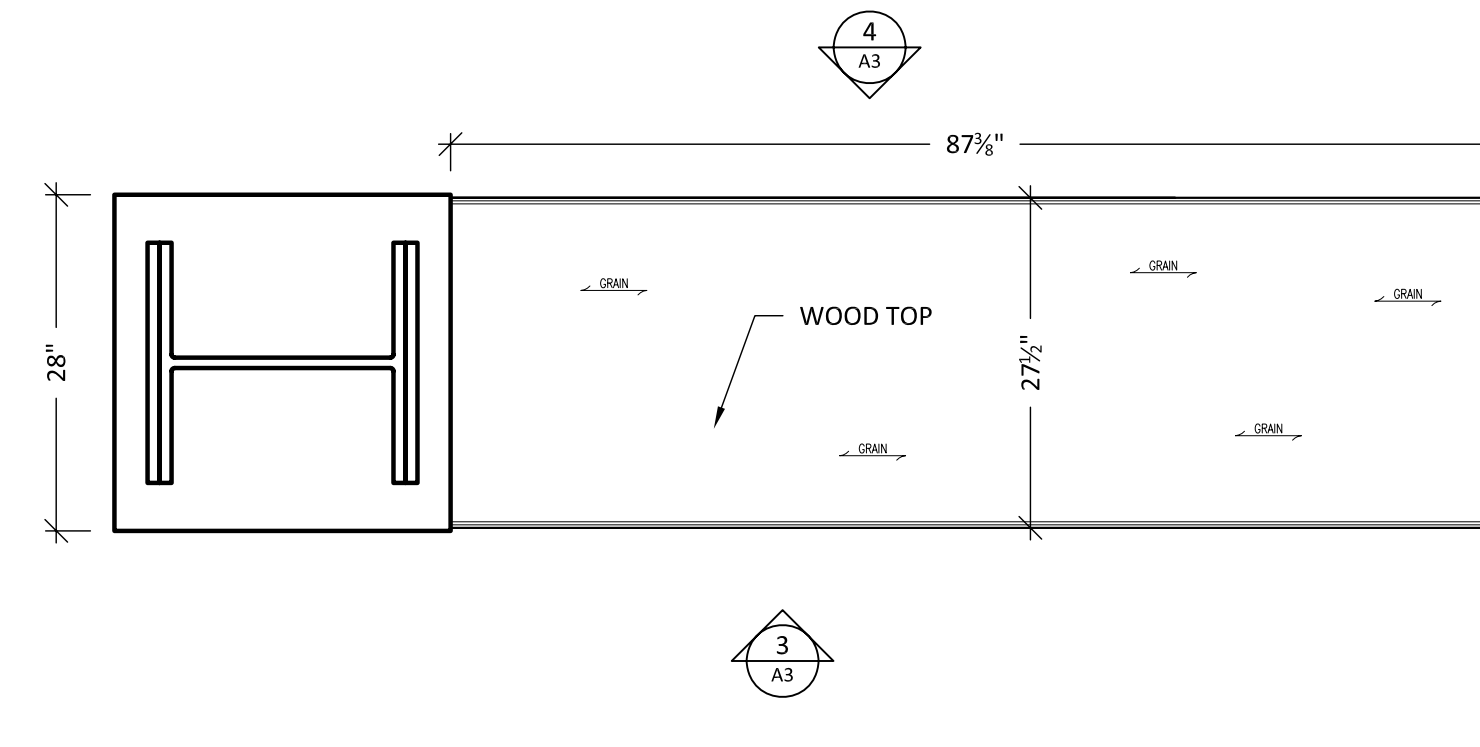
XXXXXXXXXXXXXXXXXXXX will not be liable for any errors occurring to other trades through the use of these schedules or detail drawings or dimensions.
 All dimensions to be verified by field measurement prior to fabrication.

DRAWING RECORD

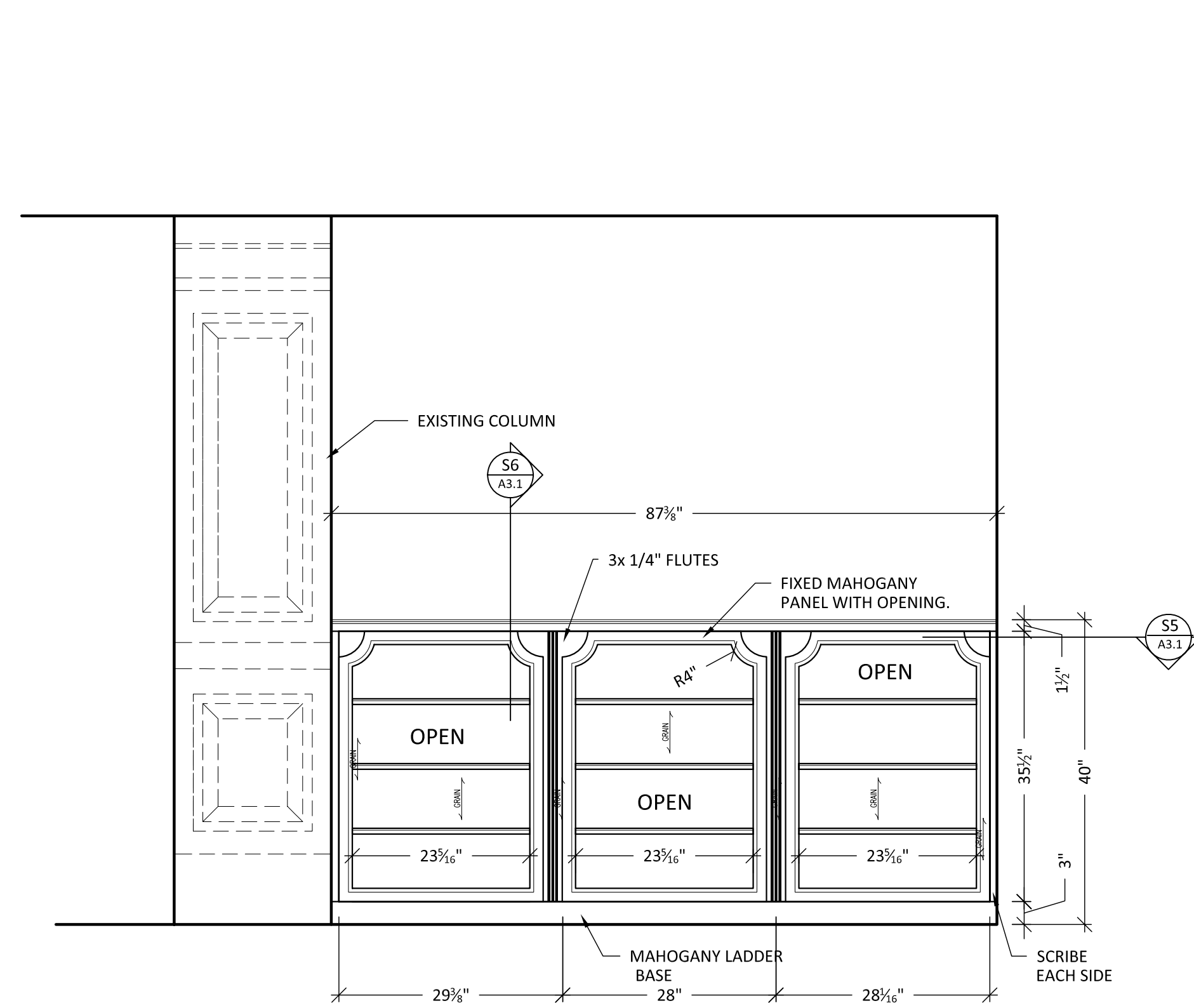
ARCHITECT: XXXXXXXXXXXXXXXXXXXXXXXXXX
 CONTRACTOR:

Project Name and Address:
 XXXXXXXXXXXX Residence
 New York, New York.

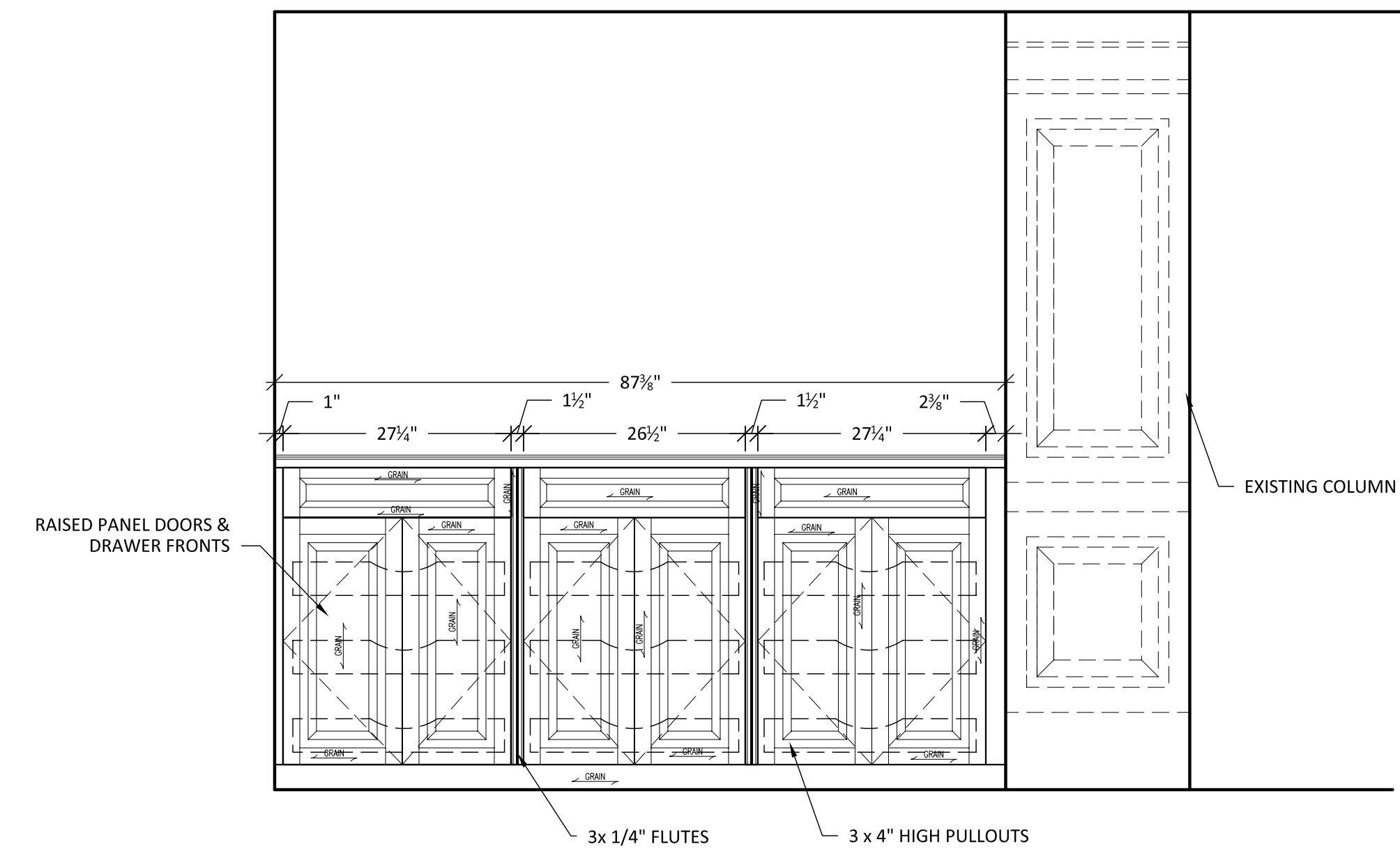
Project:	Sheet:
Date: 2-01-08	A2.2
JOB # :	



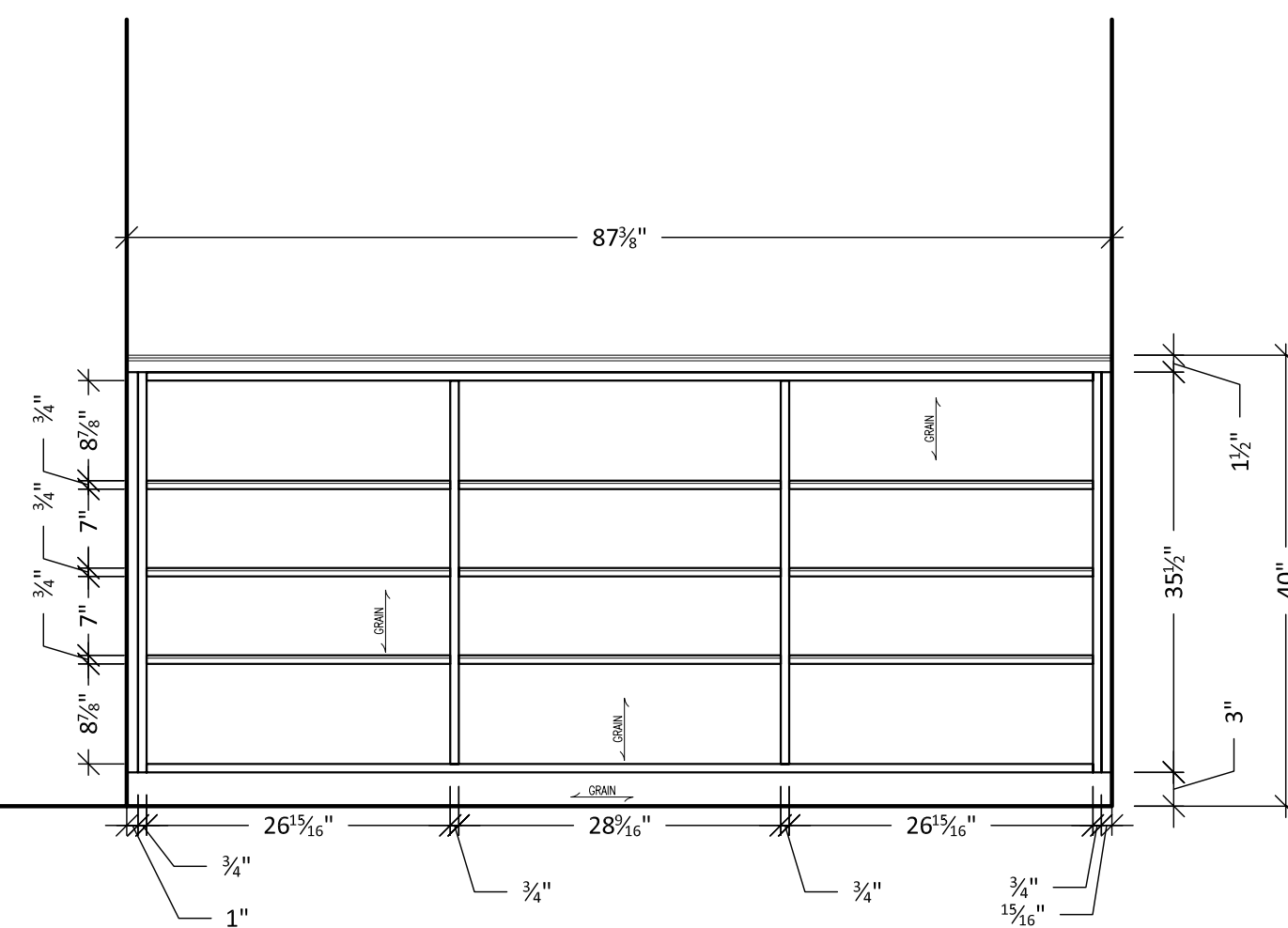
2 DINING/ BAR BUFFET UNIT
SCALE: 3/4" = 1'-0"



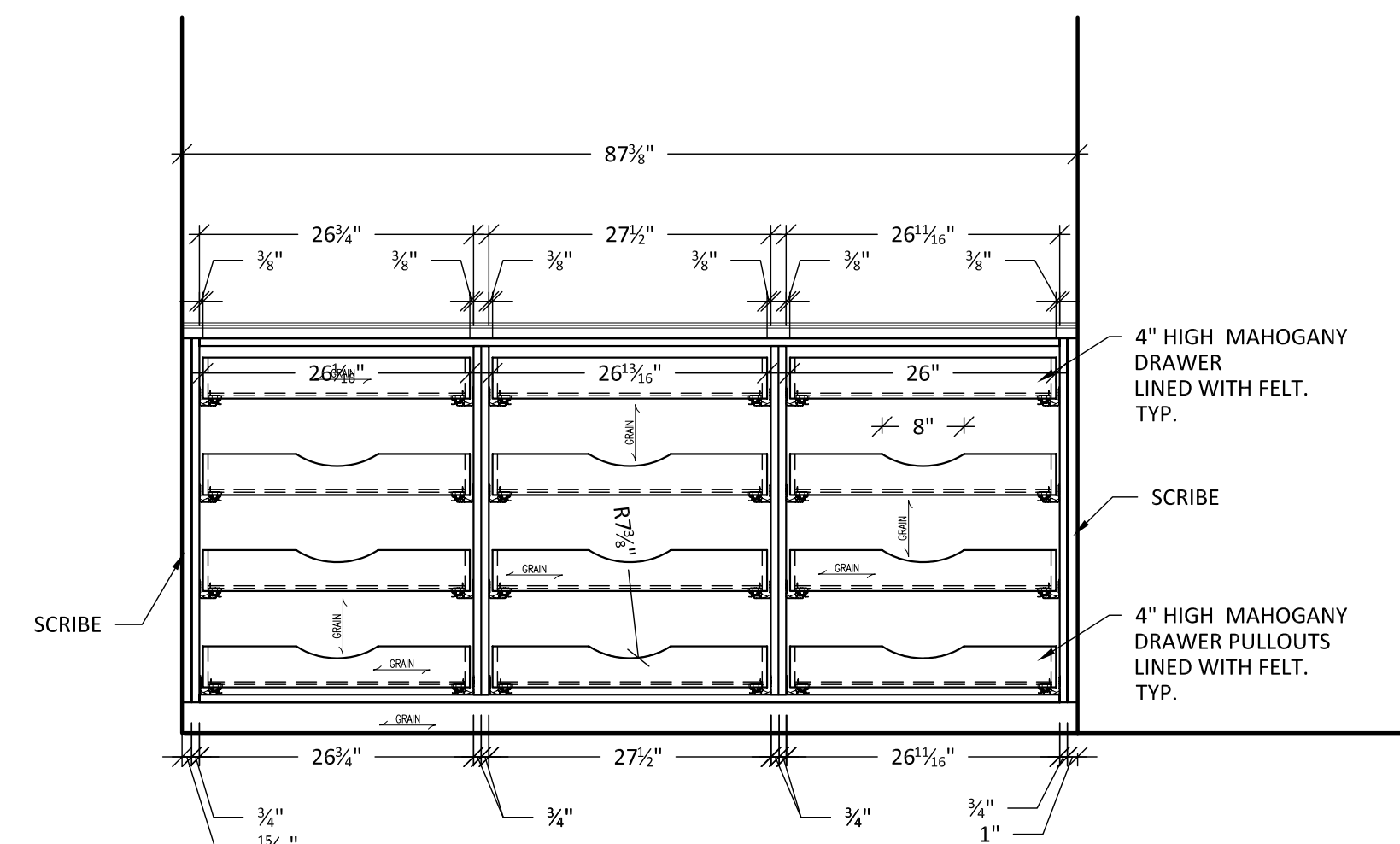
3 ELEVATION
SCALE: 3/4" = 1'-0"



4 ELEVATION
SCALE: 3/4" = 1'-0"



X3 ELEVATION- WITHOUT FRAME
SCALE: 3/4" = 1'-0"



X4 ELEVATION-WITHOUT DOOR/ DRAWERS FRONTS
SCALE: 3/4" = 1'-0"

General Notes

SHOP NOTES:

- Dining / Bar Buffet Unit :
Wood: Mahogany;
- Wood Finish: Satin Clear Lacquer;
Color ; Stain medium Mahogany w/
details in dark walnut.
- Stone top 1.5" thick with "ogee" edge
detail by others.
- Pull-Out Shelves and Drawers to be
Dovetailed Construction in Solid
Mahogany.
- All drawers to be lined with felt
provided by SMR
- Drawers and Pull-Outs to all have
bottom mount self closing drawer slides
All Pulls to be provided by SBDG.

LEGEND:

- VIEW
- SHEET NO.
- DIRECTION OF VIEW

Drawn by Nemo K.

No.	Revision/Issue	Date
1	Per Markup	4-24

Firm Name and Address:

xxxxxxxxxxxxxxxxxxxx will not be liable
for any errors occurring to other trades
through the use of these schedules or
detail drawings or dimensions.
All dimensions to be verified by field
measurement prior to fabrication.

DRAWING RECORD

ARCHITECT: xxxxxxxxxxxxxxxxxxxxxxxxxxxxxxx

CONTRACTOR:

Project Name and Address:
xxxxxxxxxxx Residence
New York, New York.

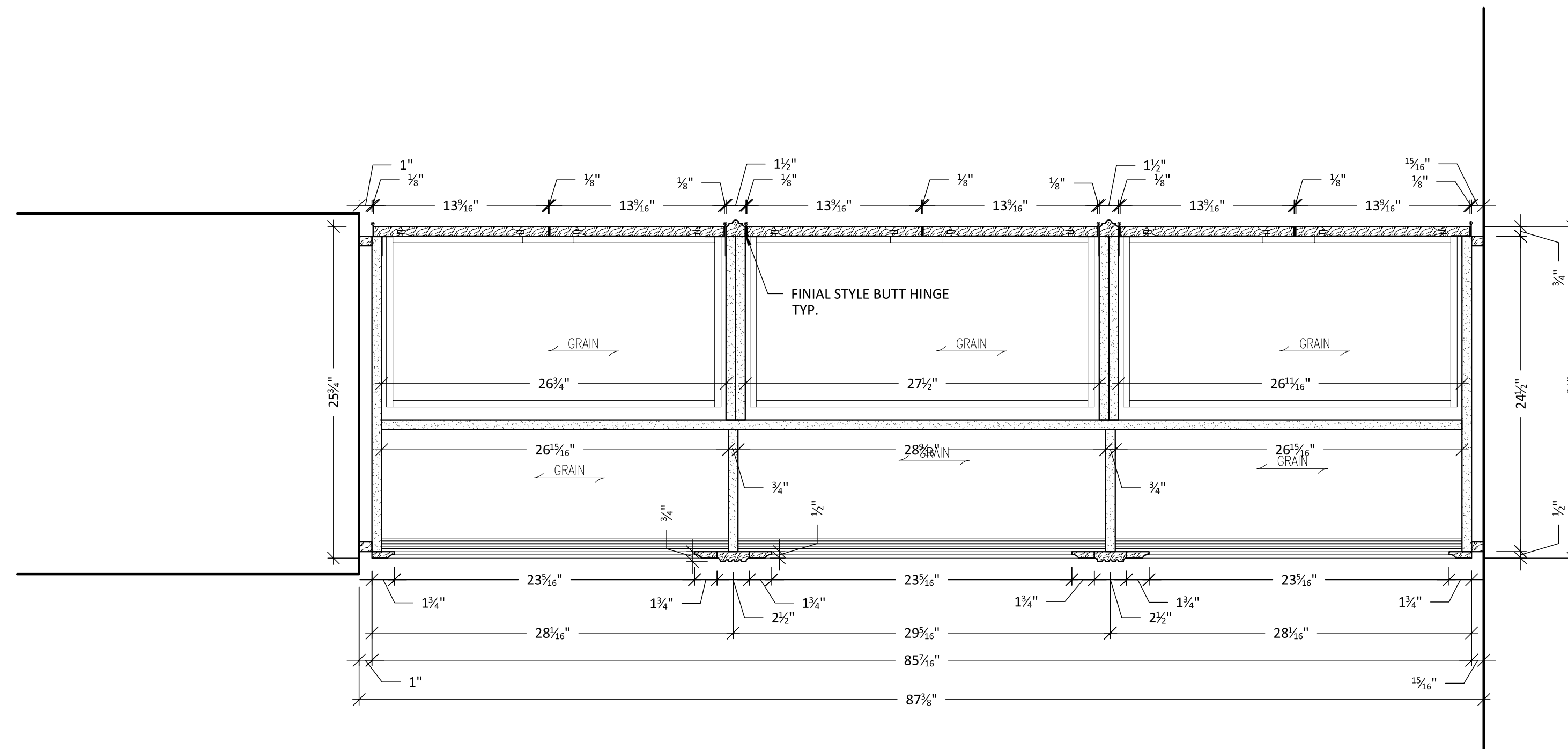
Project:

Sheet:

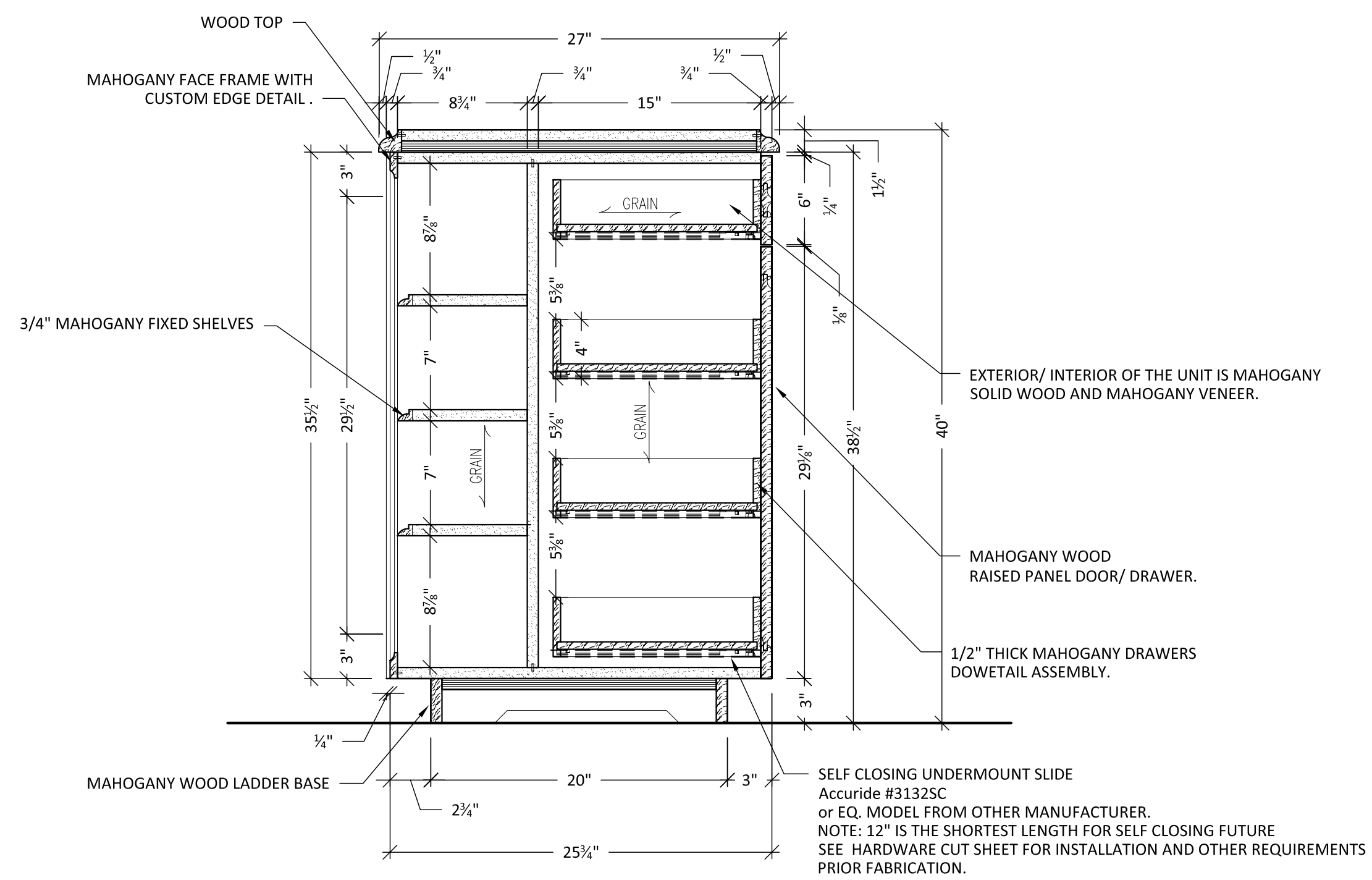
Date: 2-01-08

A3

JOB # :



S5 HORIZONTAL SECTION
SCALE: 1 1/2" = 1'-0"



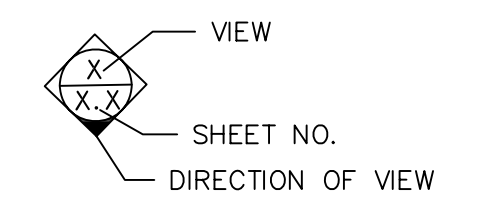
S6 SECTION
SCALE: 1 1/2" = 1'-0"

General Notes

SHOP NOTES:

- Dining / Bar Buffet Unit :
- Wood: Mahogany;
- Wood Finish: Satin Clear Lacquer;
- Color ; Stain medium Mahogany w/ details in dark walnut.
- Stone top 1.5" thick with "ogee" edge detail by others.
- Pull-Out Shelves and Drawers to be Dovetailed Construction in Solid Mahogany.
- All drawers to be lined with felt provided by SMR
- Drawers and Pull-Outs to all have bottom mount self closing drawer slides
- All Pulls to be provided by SBDG.

LEGEND:



Drawn by Nemo K.

No.	Revision/Issue	Date
1	Per MArkup	4-24

Firm Name and Address:

xxxxxxxxxxxxxxxxxxxx will not be liable for any errors occurring to other trades through the use of these schedules or detail drawings or dimensions. All dimensions to be verified by field measurement prior to fabrication.

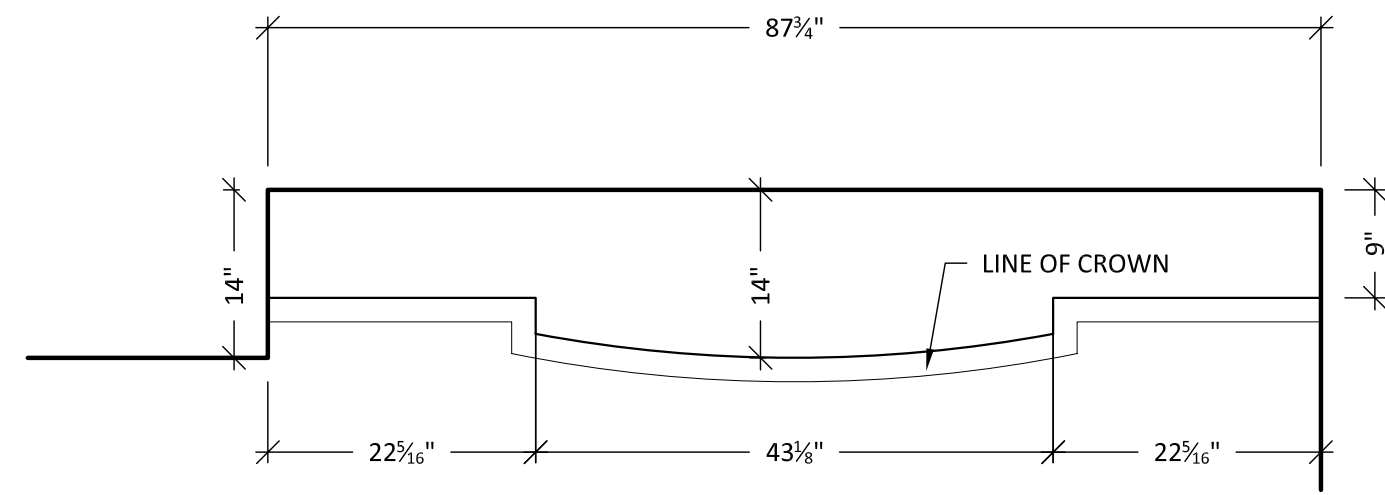
DRAWING RECORD

ARCHITECT: xxxxxxxxxxxxxxxxxxxxxxxxxxxxxxx

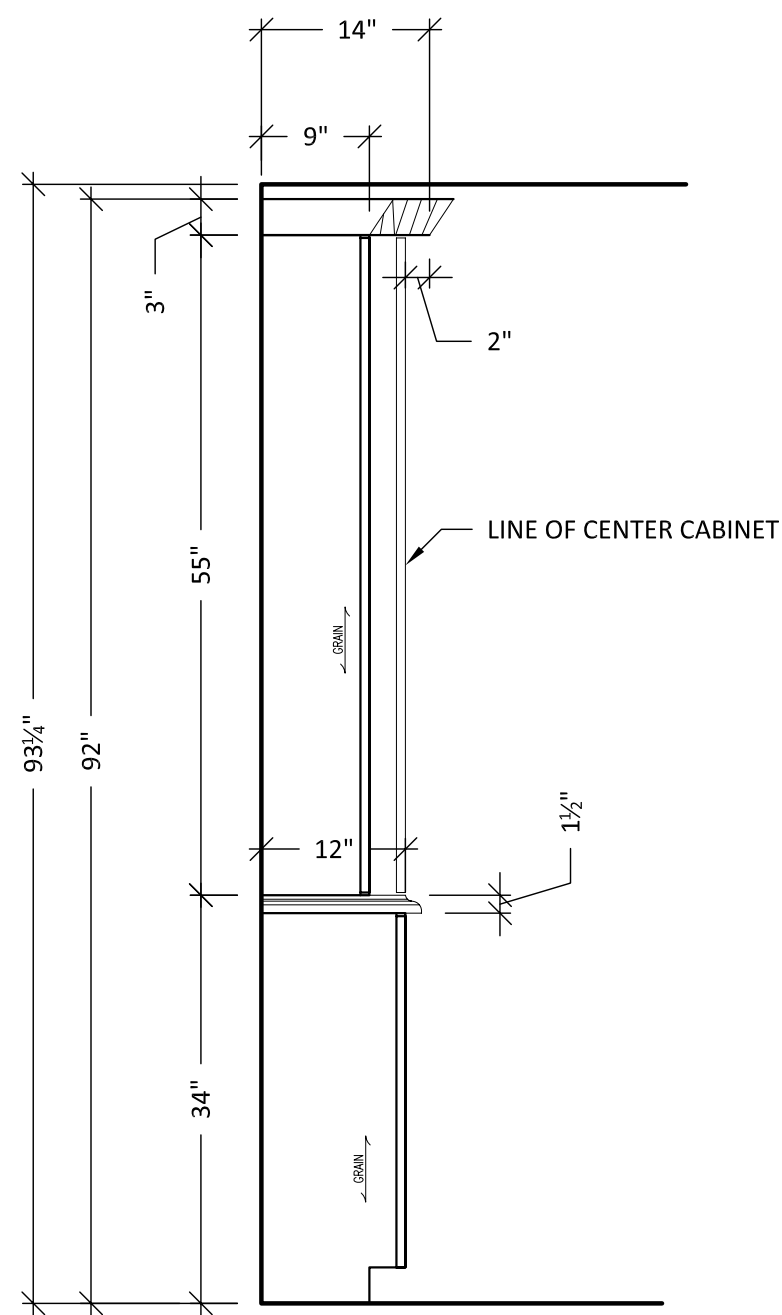
CONTRACTOR:

Project Name and Address:
xxxxxxxxxx Residence
New York, New York.

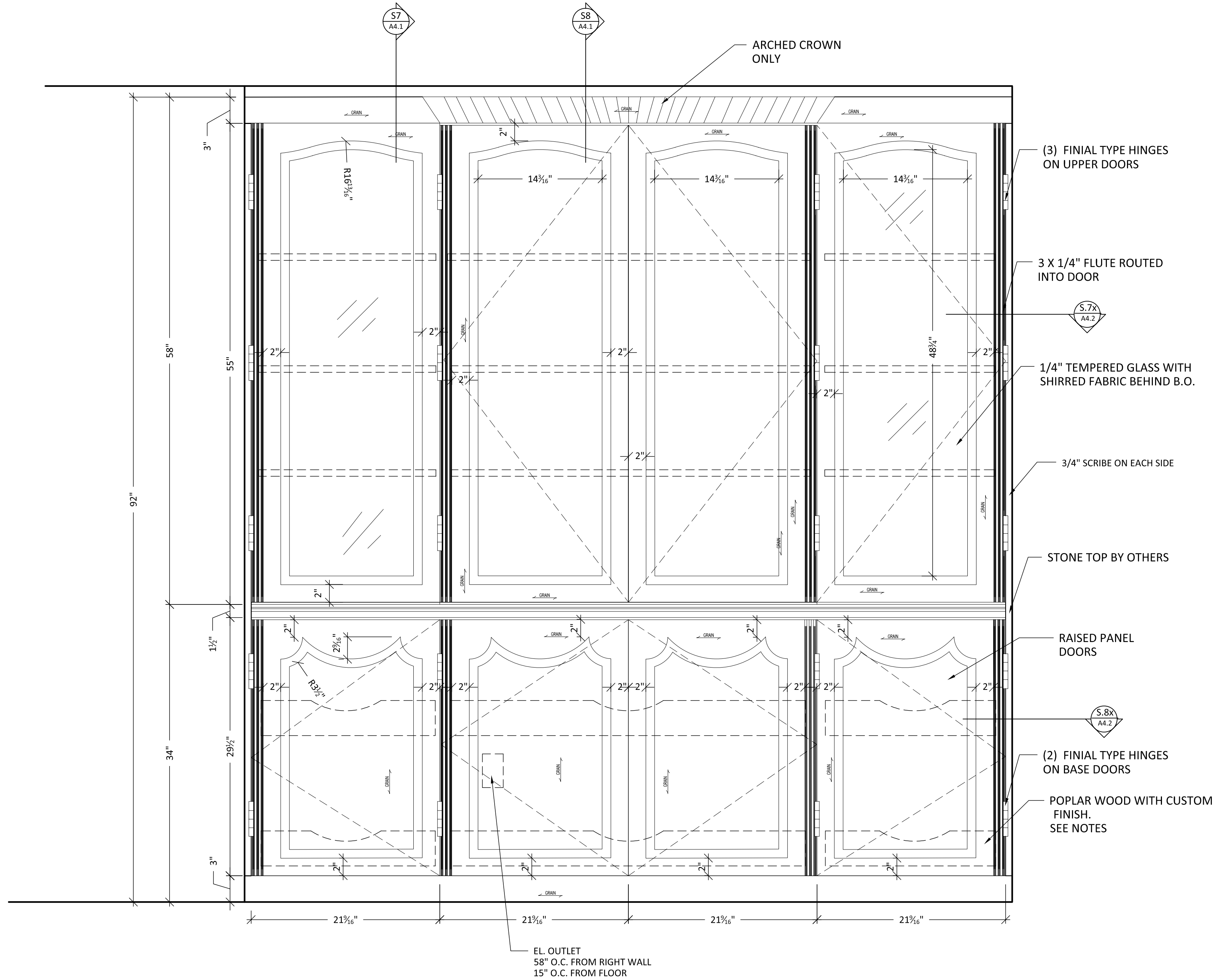
Project:	Sheet:
Date: 2-01-08	A3.1
JOB # :	



3 DINING/ BAR BUFFET UNIT
SCALE: 3/4" = 1'-0"



5 ELEVATION-SIDE VIEW
SCALE: 3/4" = 1'-0"



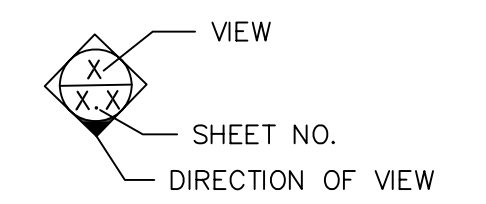
4 ELEVATION
SCALE: 1 1/2" = 1'-0"

General Notes

SHOP NOTES:

- * Dining Room China Cabinet :
Wood : Poplar Wood finish: Painted by SMR multi-layer with blue-greenish finish similar to what is shown in the concept photo .
- * The 1.5" top between the upper and lower cabinet is to be a stone top with an "ogee" edge - stone top to be provided by others.
- * Doors to have glass panels with shirred fabric behind(fabric provided by SBDG)
- * Doors to have finial style butt hinges with ball catches.
- * Each Upper cabinet section to have (3) 1" thick solid wood shelves – painted antique white and lined with felt
- * Each Lower cabinet section to have (2) 4" high dovetailed pullouts on full extension, self closing, undermount drawer slides.
- * Pullouts to be painted antique white and lined with felt

LEGEND:



Drawn by Nemo K.

No.	Revision/Issue	Date
1	PER MARKUP	4-5

Firm Name and Address:

xxxxxxxxxxxxxxxxxxxx will not be liable for any errors occurring to other trades through the use of these schedules or detail drawings or dimensions. All dimensions to be verified by field measurement prior to fabrication.

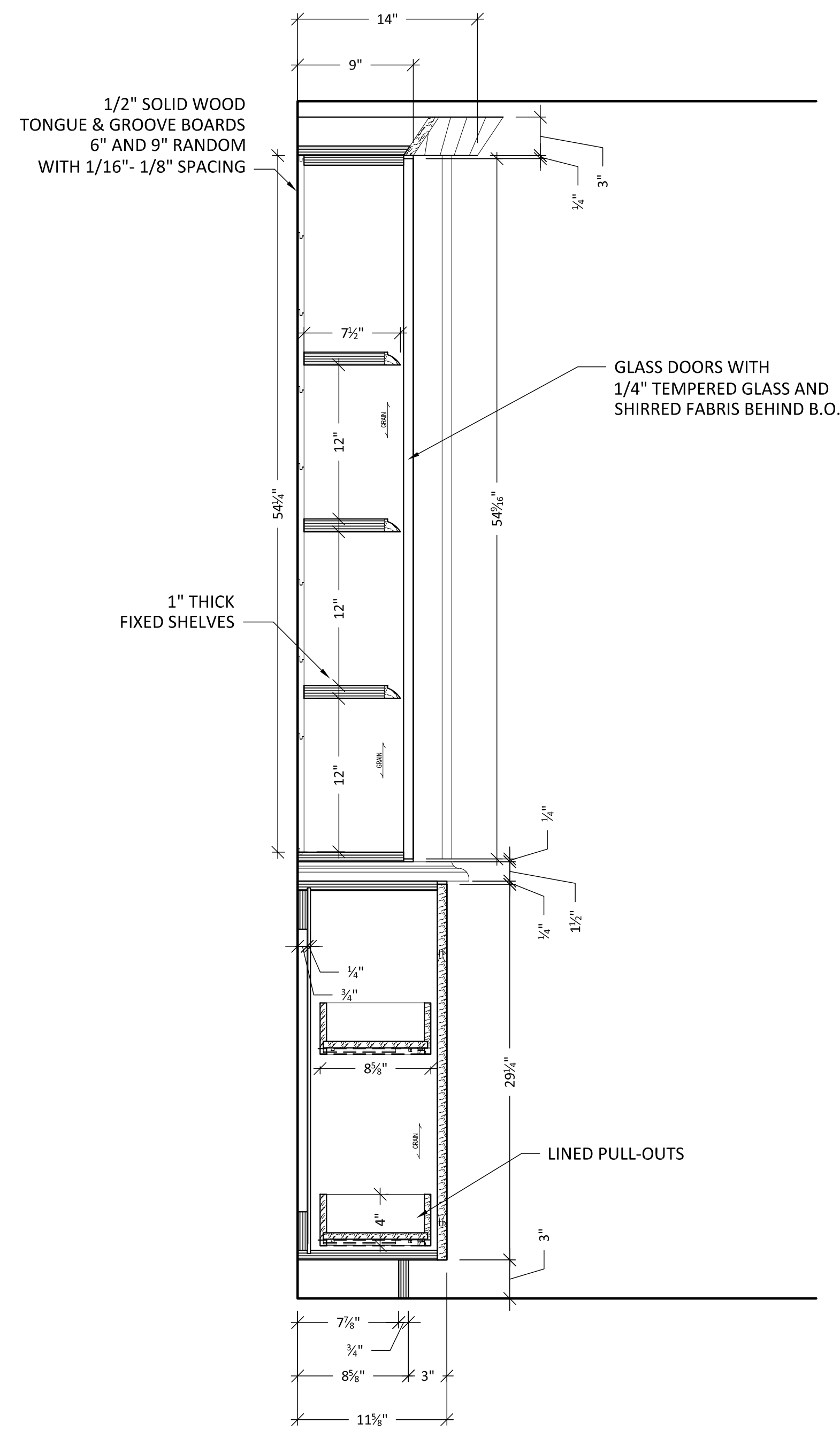
DRAWING RECORD

ARCHITECT: xxxxxxxxxxxxxxxxxxxxxxxxxxxxxxx

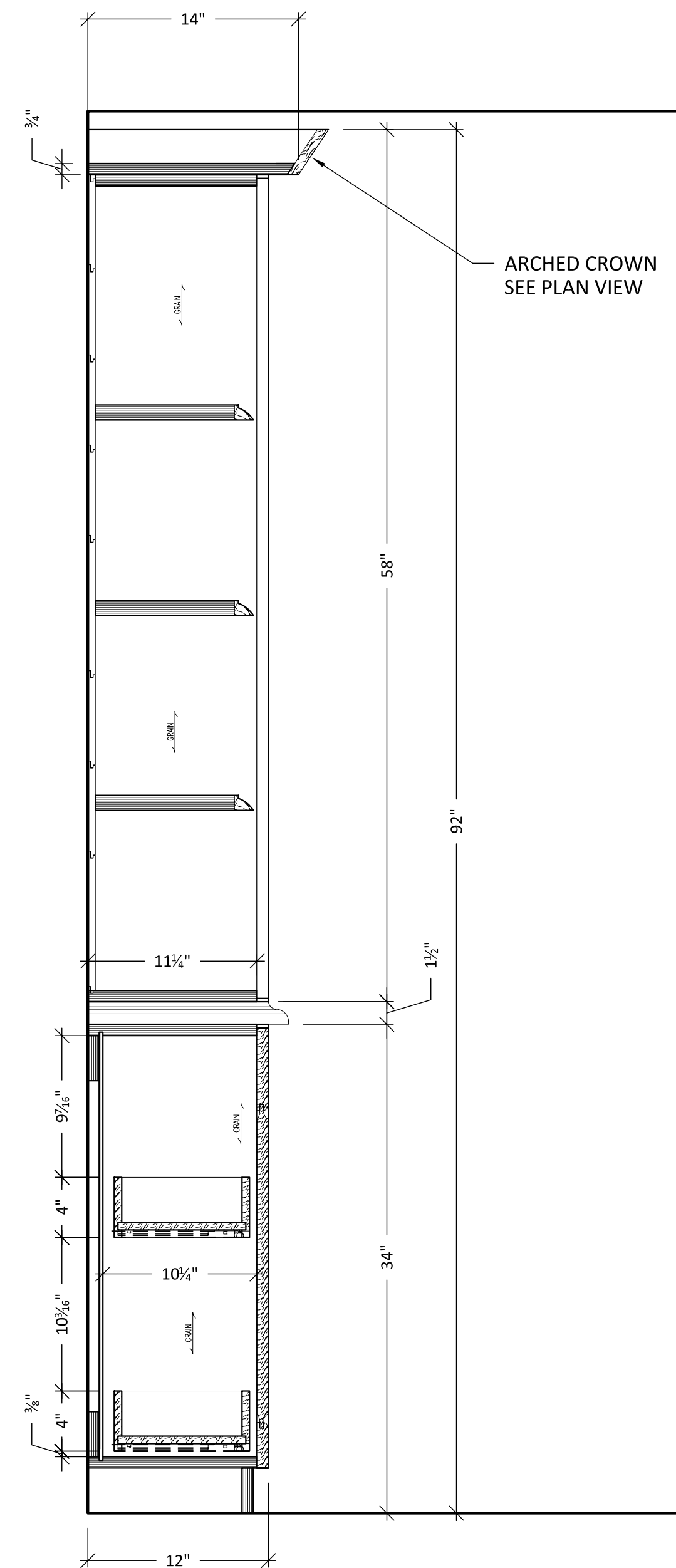
CONTRACTOR:

Project Name and Address:
xxxxxxxxxx Residence
New York, New York.

Project:	Sheet:
Date: 2-01-08	A4
JOB # :	



S7 SECTION
SCALE: 1 1/2" = 1'-0"



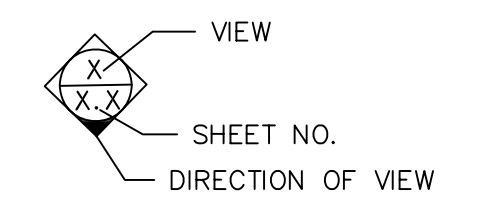
S8 SECTION
SCALE: 1 1/2" = 1'-0"

General Notes

SHOP NOTES:

- * Dining Room China Cabinet :
Wood : Poplar Wood finish: Painted by SMR multi-layer with blue-greenish finish similar to what is shown in the concept photo .
- * The 1.5" top between the upper and lower cabinet is to be a stone top with an "ogee" edge - stone top to be provided by others.
- * Doors to have glass panels with shirred fabric behind(fabric provided by SBDG)
- * Doors to have finial style butt hinges with ball catches.
- * Each Upper cabinet section to have (3) 1" thick solid wood shelves – painted antique white and lined with felt
- * Each Lower cabinet section to have (2) 4" high dovetailed pullouts on full extension, self closing, undermount drawer slides.
- * Pullouts to be painted antique white and lined with felt

LEGEND:



Drawn by Nemo K.

No.	Revision/Issue	Date
1	PER MARKUP	4-1

Firm Name and Address:

xxxxxxxxxxxxxxxxxxxx will not be liable for any errors occurring to other trades through the use of these schedules or detail drawings or dimensions.
All dimensions to be verified by field measurement prior to fabrication.

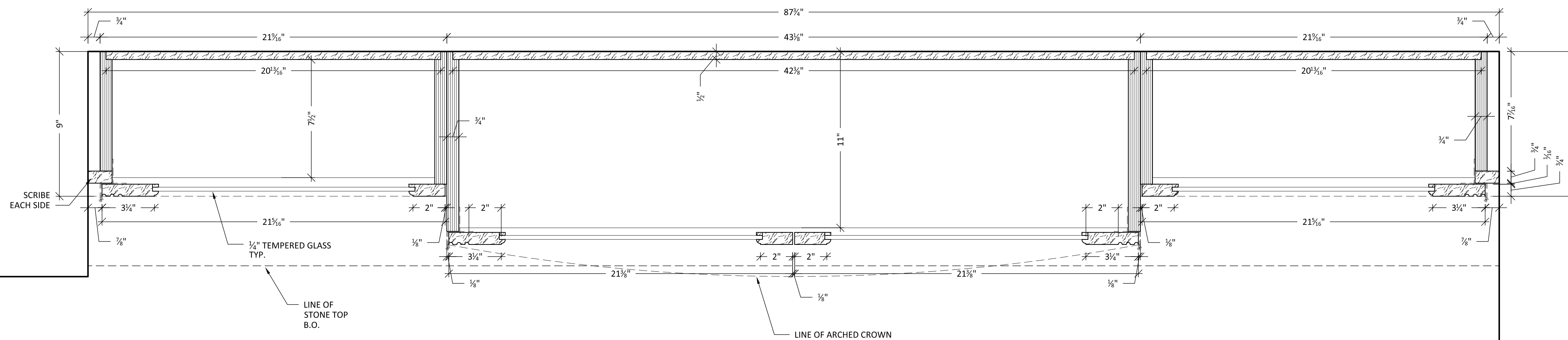
DRAWING RECORD

ARCHITECT: xxxxxxxxxxxxxxxxxxxxxxxxxxxxxxx

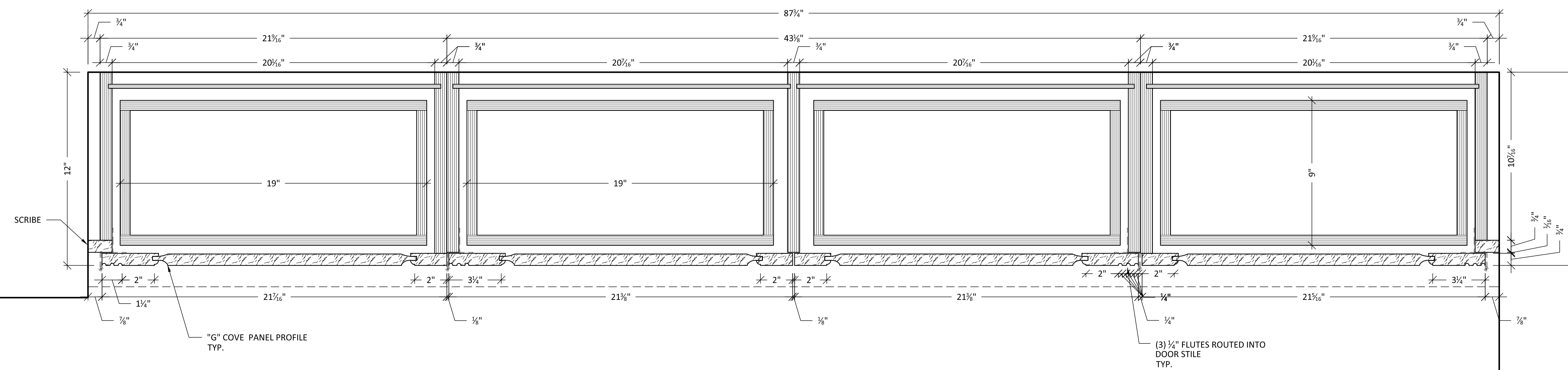
CONTRACTOR:

Project Name and Address:
xxxxxxxxxx Residence
New York, New York.

Project:	Sheet:
Date: 2-01-08	A4.1
JOB # :	



S.7x HORIZONTAL SECTION - UPPER CABINETS
SCALE: 3" = 1'-0"



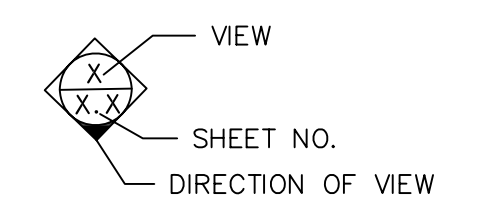
S.8x HORIZONTAL SECTION - BASE CABINETS
SCALE: 3" = 1'-0"

General Notes

SHOP NOTES:

- * Dining Room China Cabinet :
Wood : Poplar Wood finish: Painted by SMR multi-layer with blue-greenish finish similar to what is shown in the concept photo .
- * The 1.5" top between the upper and lower cabinet is to be a stone top with an "ogee" edge - stone top to be provided by others.
- * Doors to have glass panels with shirred fabric behind (fabric provided by SBDG)
- * Doors to have finial style butt hinges with ball catches.
- * Each Upper cabinet section to have (3) 1" thick solid wood shelves – painted antique white and lined with felt
- * Each Lower cabinet section to have (2) 4" high dovetailed pullouts on full extension, self closing, undermount drawer slides.
- * Pullouts to be painted antique white and lined with felt

LEGEND:



Drawn by Nemo K.

No.	Revision/Issue	Date
1	PER MARKUP	4-5

Firm Name and Address:

xxxxxxxxxxxxxxxxxxxx will not be liable for any errors occurring to other trades through the use of these schedules or detail drawings or dimensions. All dimensions to be verified by field measurement prior to fabrication.

DRAWING RECORD

ARCHITECT: xxxxxxxxxxxxxxxxxxxxxxxxxxxx

CONTRACTOR:

Project Name and Address:

xxxxxxxxxx Residence
New York, New York.

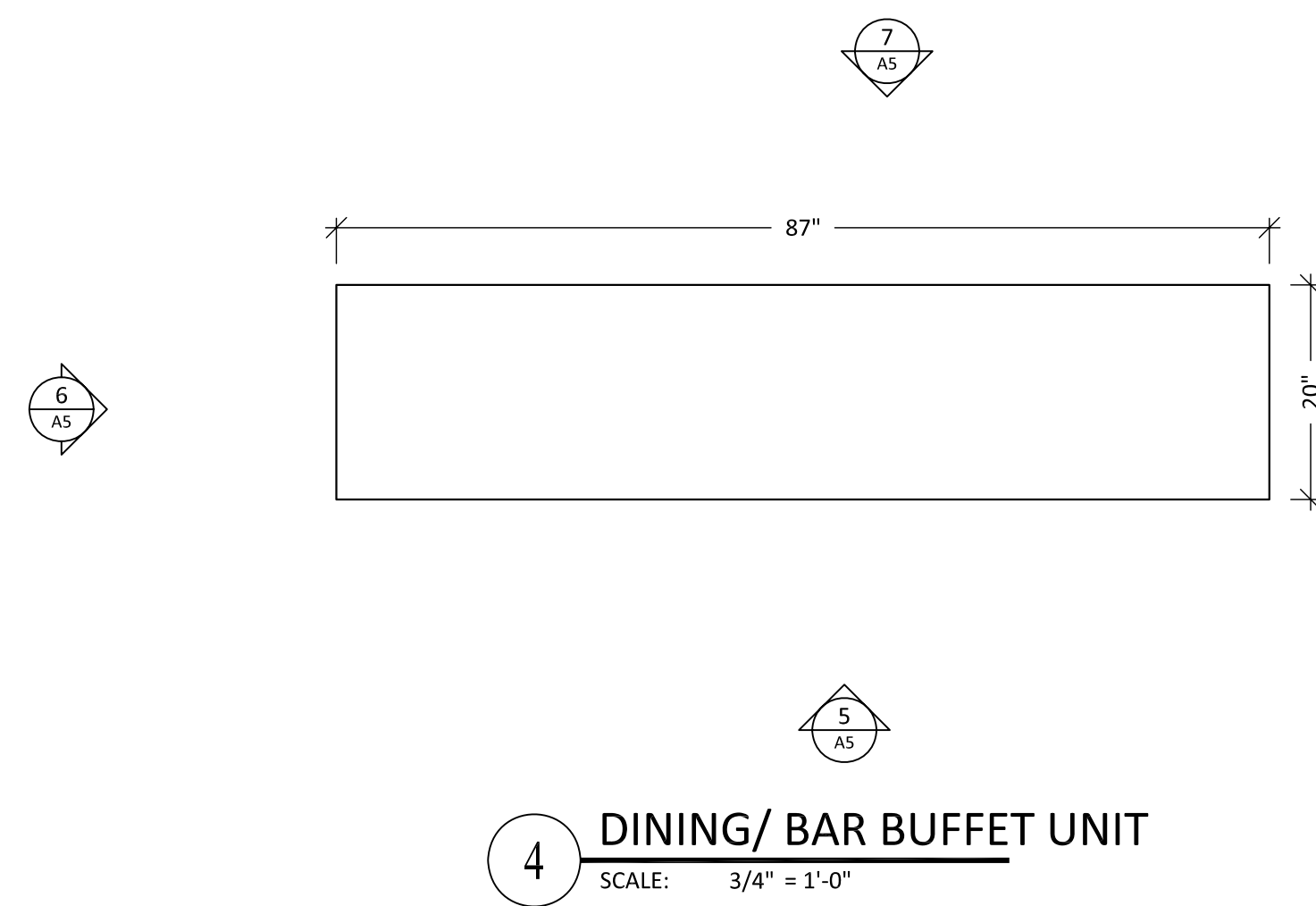
Project:

Sheet:

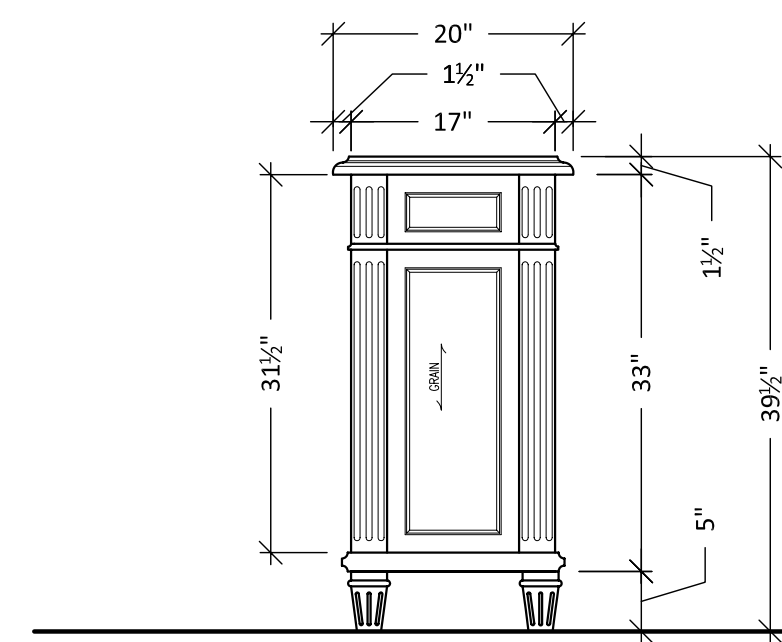
Date: 4-05-08

A4.2

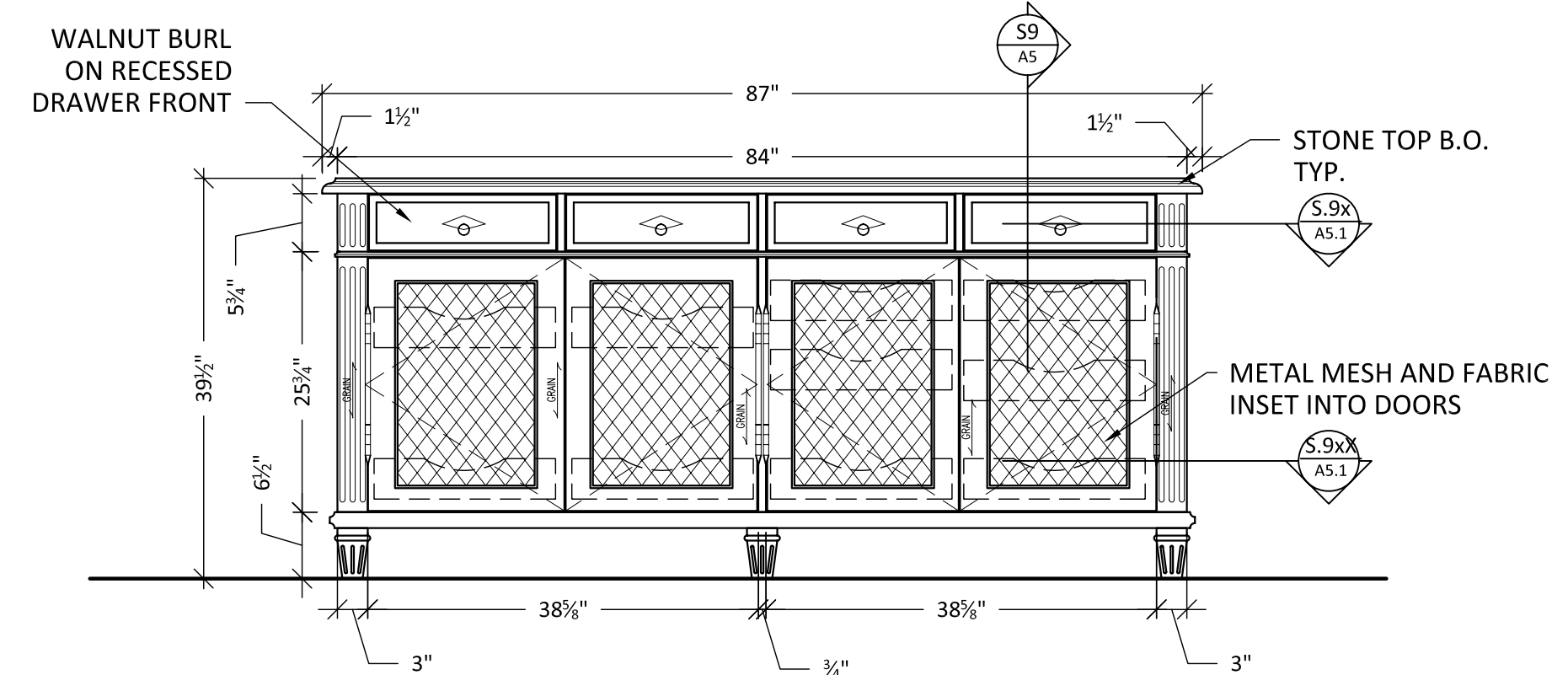
JOB # :



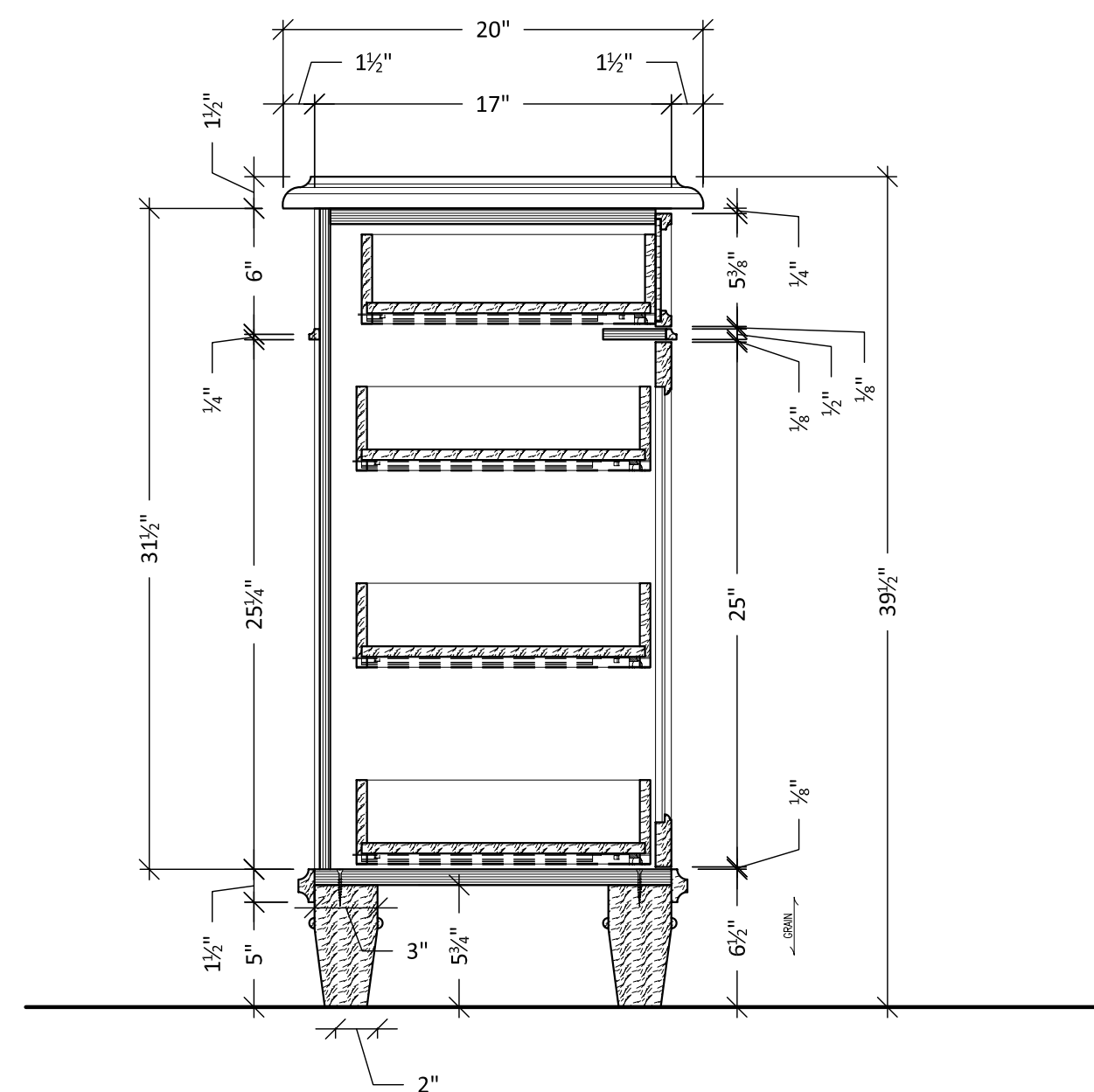
4 DINING/ BAR BUFFET UNIT
SCALE: 3/4" = 1'-0"



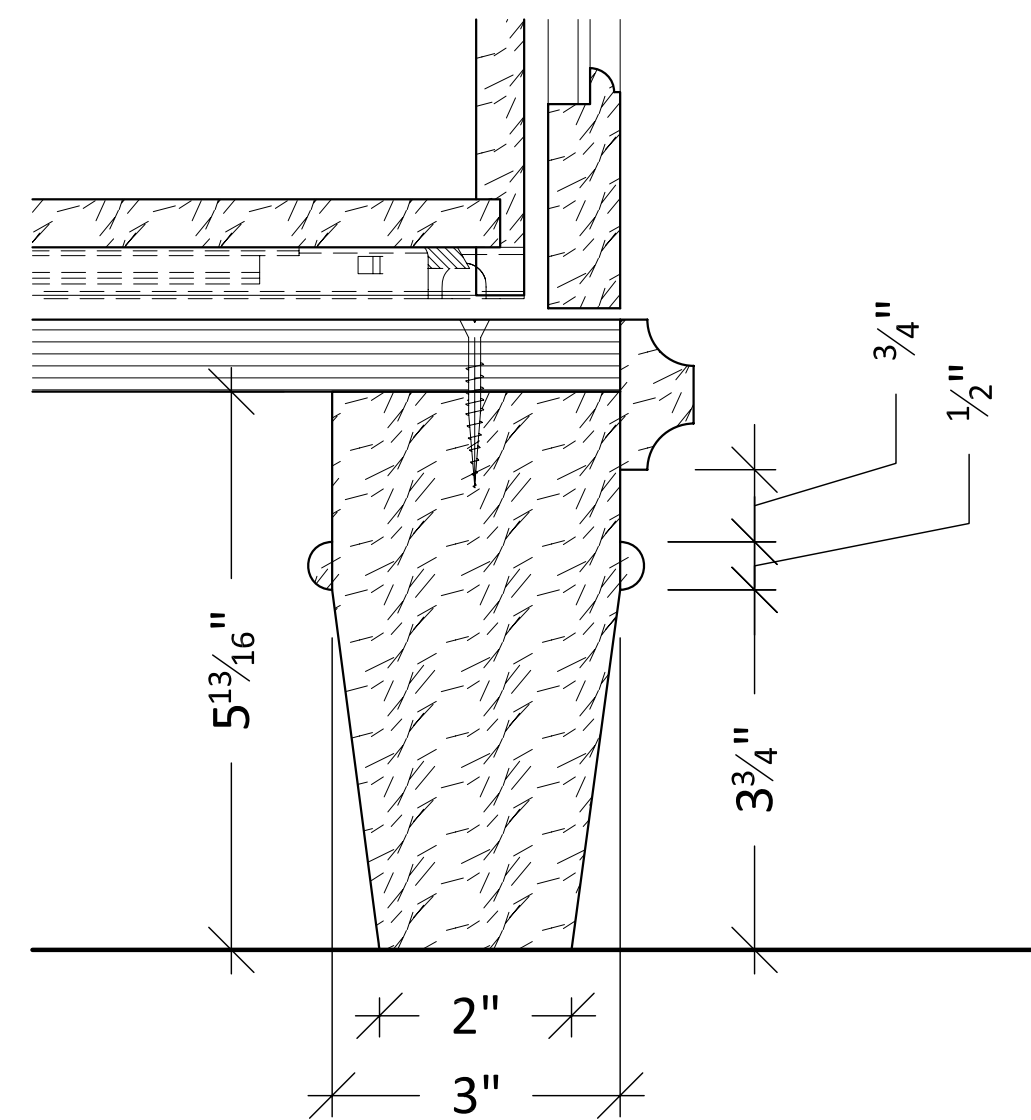
6 ELEVATION-SIDE VIEW
SCALE: 3/4" = 1'-0"



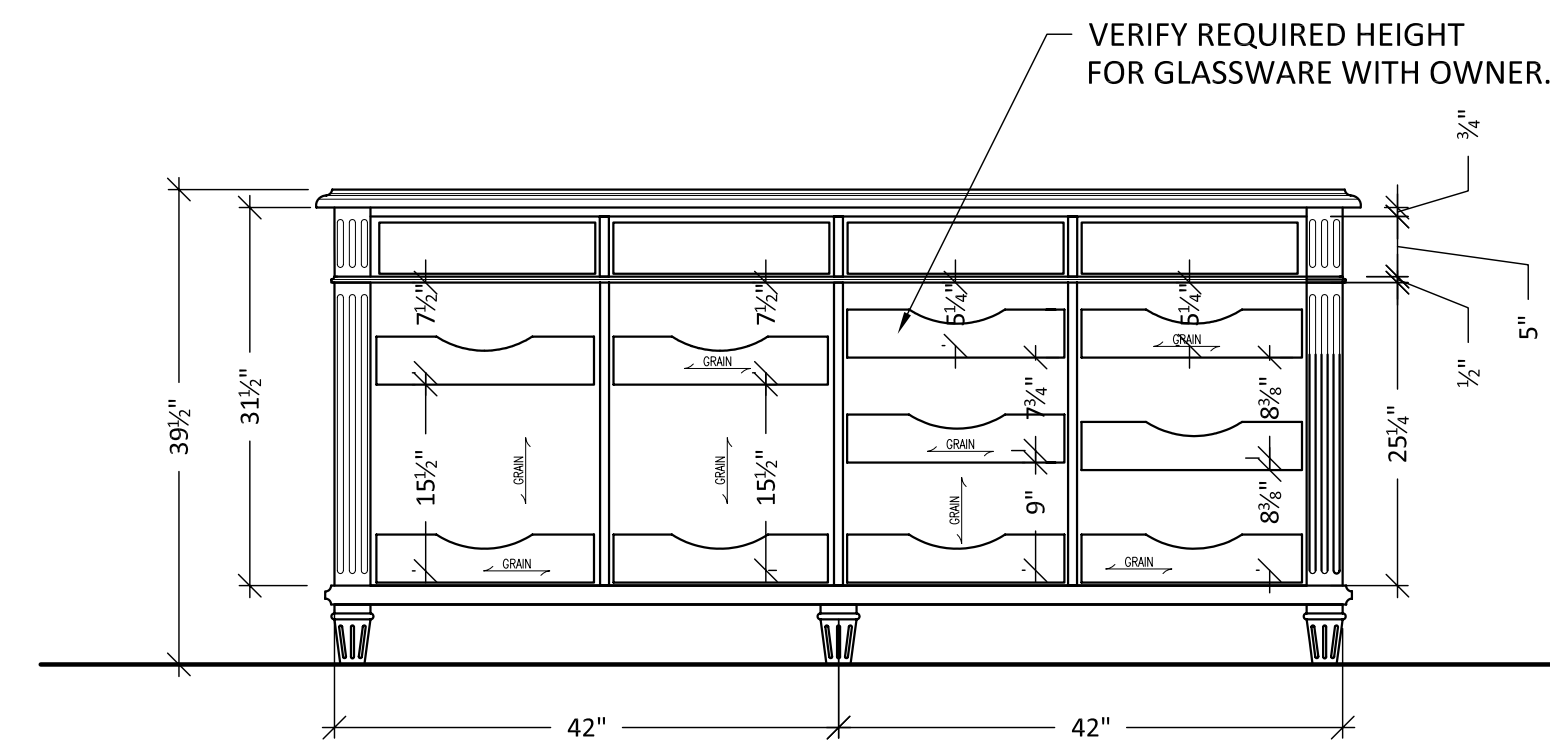
5 ELEVATION
SCALE: 3/4" = 1'-0"



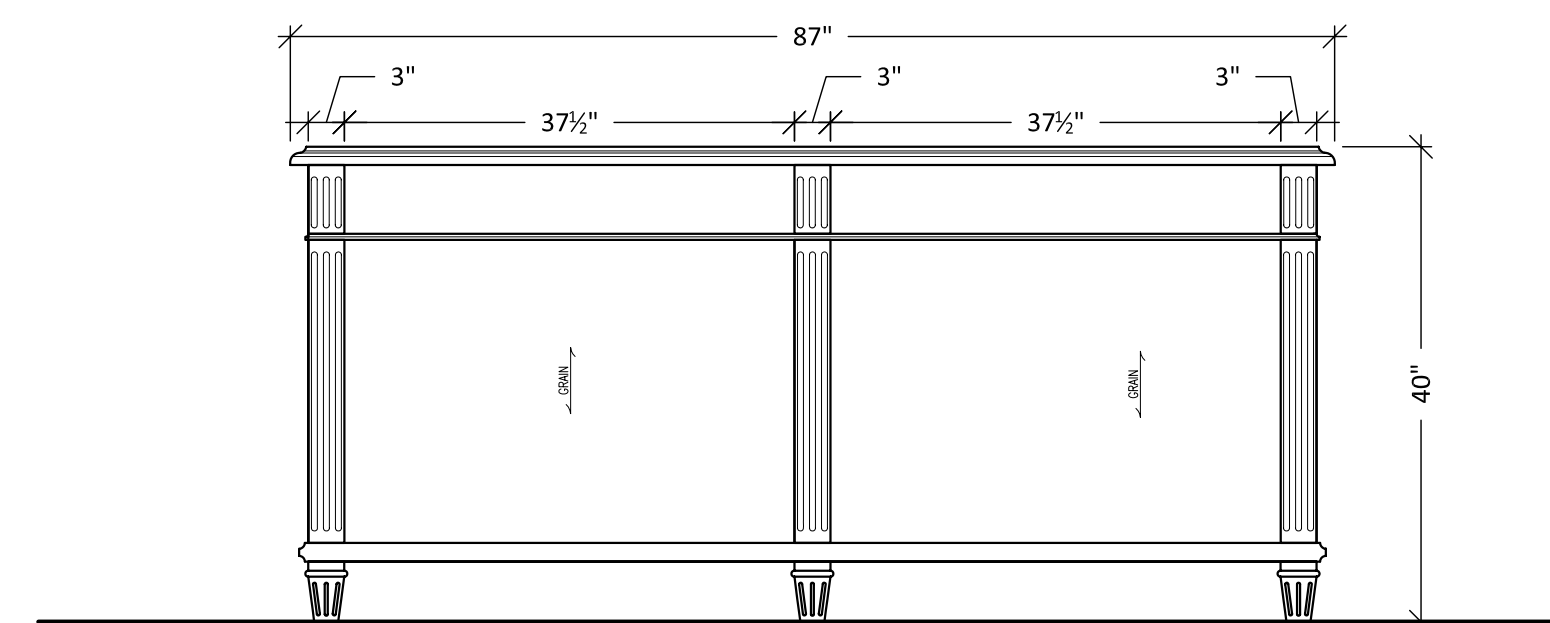
S9 SECTION
SCALE: 1 1/2" = 1'-0"



X DETAIL- LEG
SCALE: 6" = 1'-0"



X5 ELEVATION-VIEW WITHOUT DOOR/DRAWER FRONTS
SCALE: 3/4" = 1'-0"



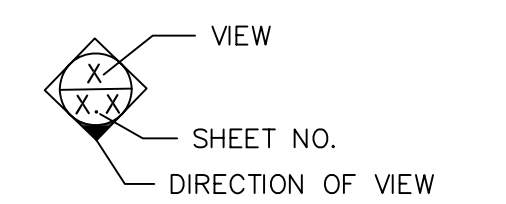
7 ELEVATION-REAR VIEW
SCALE: 3/4" = 1'-0"

General Notes

SHOP NOTES:

- * Free Standing Bar Cabinet :
Wood – Walnut;
Wood Finish: Satin Clear Lacquer;
Color ; Stain Medium walnut w/ mahogany tones.
- * Stone top, decorative pulls and shirred fabric to be provided by others.
- * Drawer Faces Recess to be walnut burl veneer; Drawers to be solid Walnut, dovetail construction
- * Interior of each section has full extension, bottom mount, self closing drawers.All drawers to be felt lined.
- * Doors to be on Barrel Type Butt Hinges, with ball catches.
- * SMR to provide metal mesh that is to be recessed in doors.
- *SBDG will provide spec for metal mesh.
- *SBDG to supply fabric to shirr behind each mesh panel.
- * Raised side panels of cabinet to have walnut burl veneer stained to match cabinet.

LEGEND:



Drawn by Nemo K.

No.	Revision/Issue	Date
1	Per Markup	4-6

Firm Name and Address:

xxxxxxxxxxxxxxxxxxxx will not be liable for any errors occurring to other trades through the use of these schedules or detail drawings or dimensions.
All dimensions to be verified by field measurement prior to fabrication.

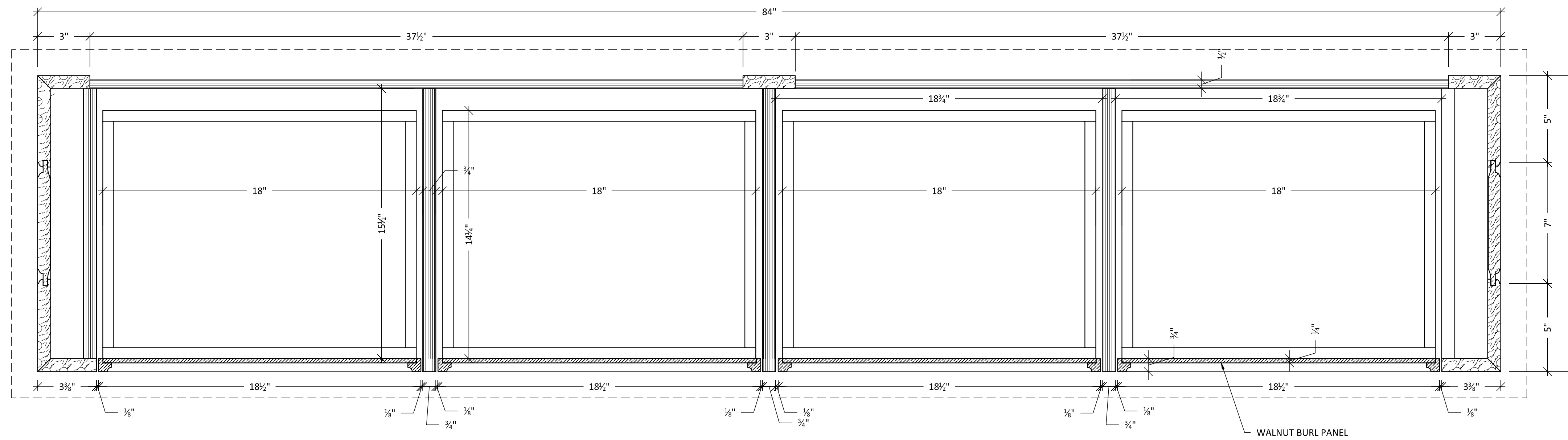
DRAWING RECORD

ARCHITECT: xxxxxxxxxxxxxxxxxxxxxxxxxxxxxxx

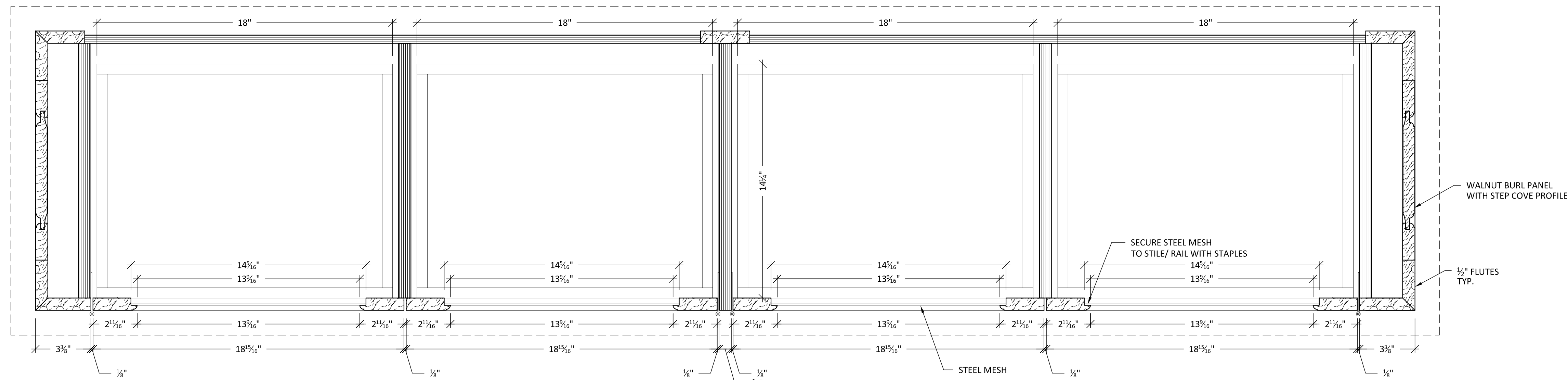
CONTRACTOR:

Project Name and Address:
xxxxxxxxxx Residence
New York, New York.

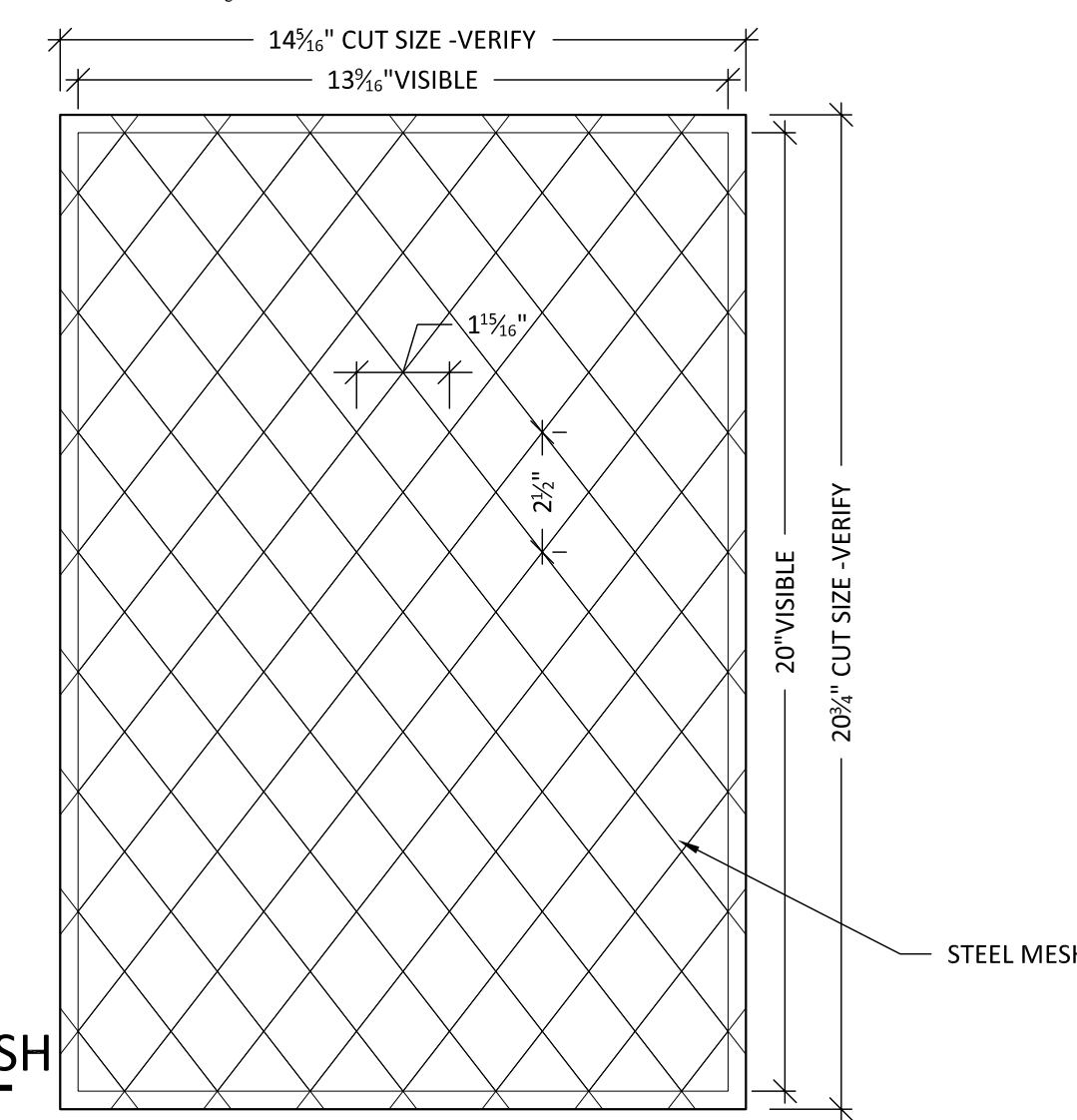
Project:	Sheet:
Date: 2-01-08	A5
JOB # :	



S.9x HORIZONTAL SECTION- DRAWERS
SCALE: 3" = 1'-0"



S.9xx HORIZONTAL SECTION- DOORS
SCALE: 3" = 1'-0"



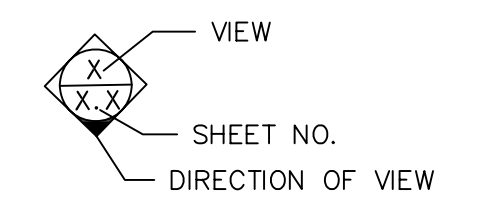
X DETAIL- METAL MESH
SCALE: 3" = 1'-0"

General Notes

SHOP NOTES:

- * Free Standing Bar Cabinet :
Wood – Walnut;
Wood Finish: Satin Clear Lacquer;
Color ; Stain Medium walnut w/
mahogany tones.
- * Stone top, decorative pulls and
shirred fabric to be provided by others.
- * Drawer Faces to be walnut burl
vener; Drawers to be solid Walnut,
dovetail construction
- * Interior of each section has full
extension, bottom mount, self closing
drawers.All drawers to be felt lined.
- * Doors to be on finial style Butt Hinges,
with ball catches.
- * SMR to provide metal mesh that is to
be recessed in doors. SBDG will provide
fabric to shirr behind each mesh panel.
- * Raised side panels of cabinet to have
walnut burl veneer stained to match
cabinet.

LEGEND:



Drawn by Nemo K.

No.	Revision/Issue	Date
1	Per Markup	4-6

Firm Name and Address:

XXXXXXXXXXXXXXXXXXXX will not be liable
for any errors occurring to other trades
through the use of these schedules or
detail drawings or dimensions.
All dimensions to be verified by field
measurement prior to fabrication.

DRAWING RECORD

ARCHITECT: XXXXXXXXXXXXXXXXXXXXXXX

CONTRACTOR:

Project Name and Address:
XXXXXXXXXXXXX Residence
New York, New York.

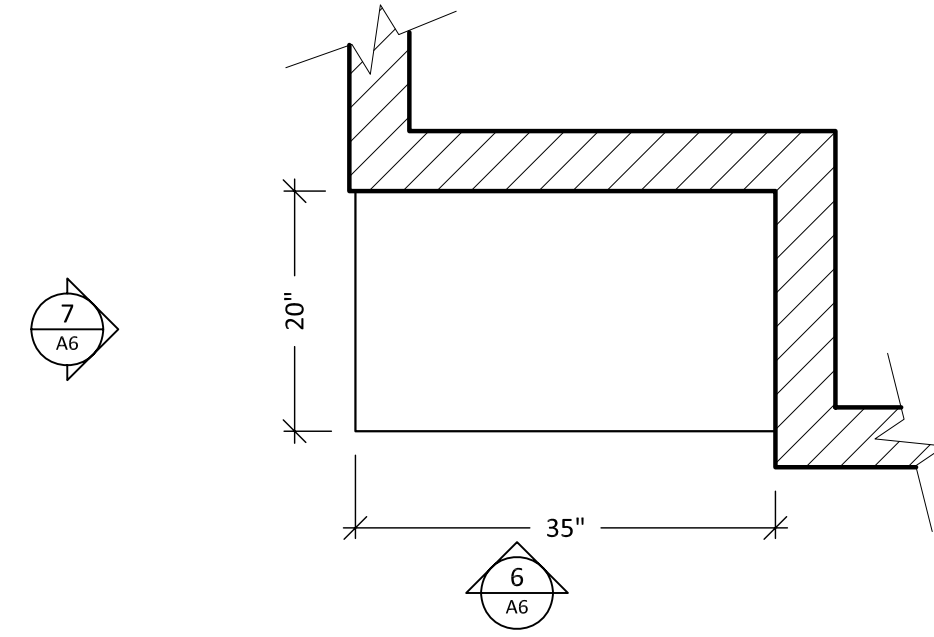
Project:

Date: 4-06-08

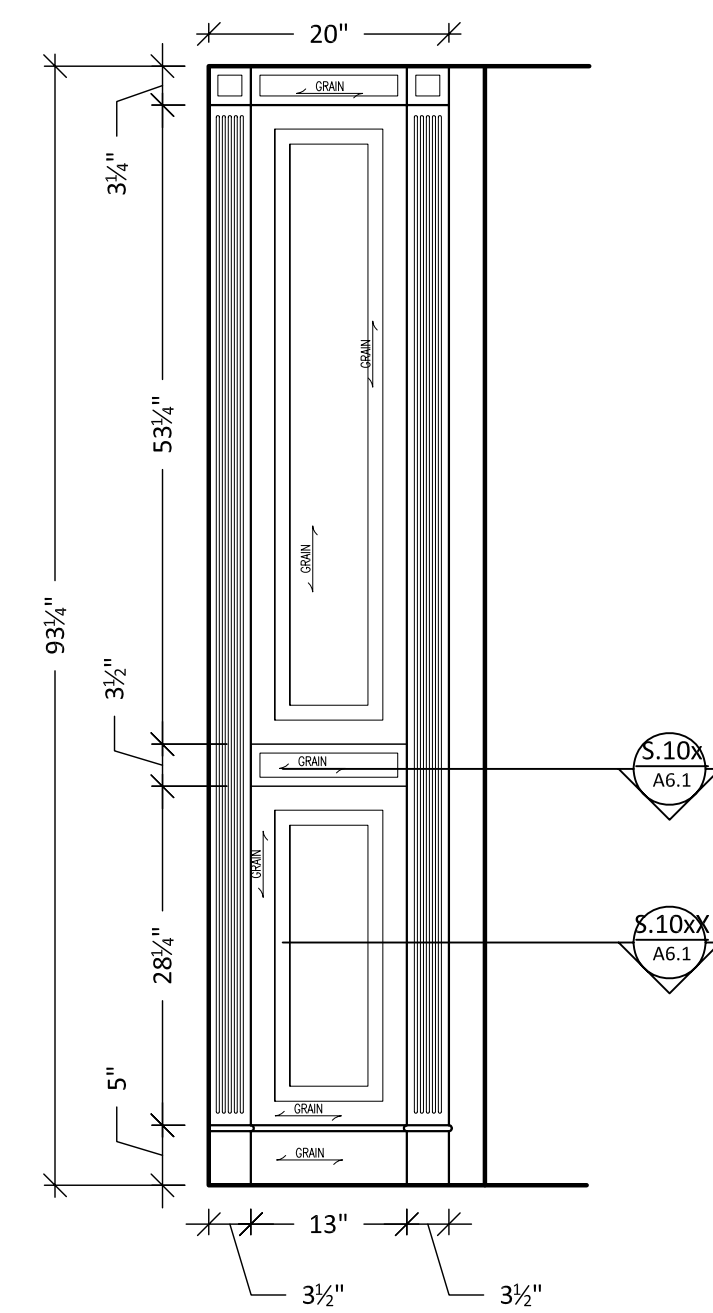
JOB # :

Sheet:

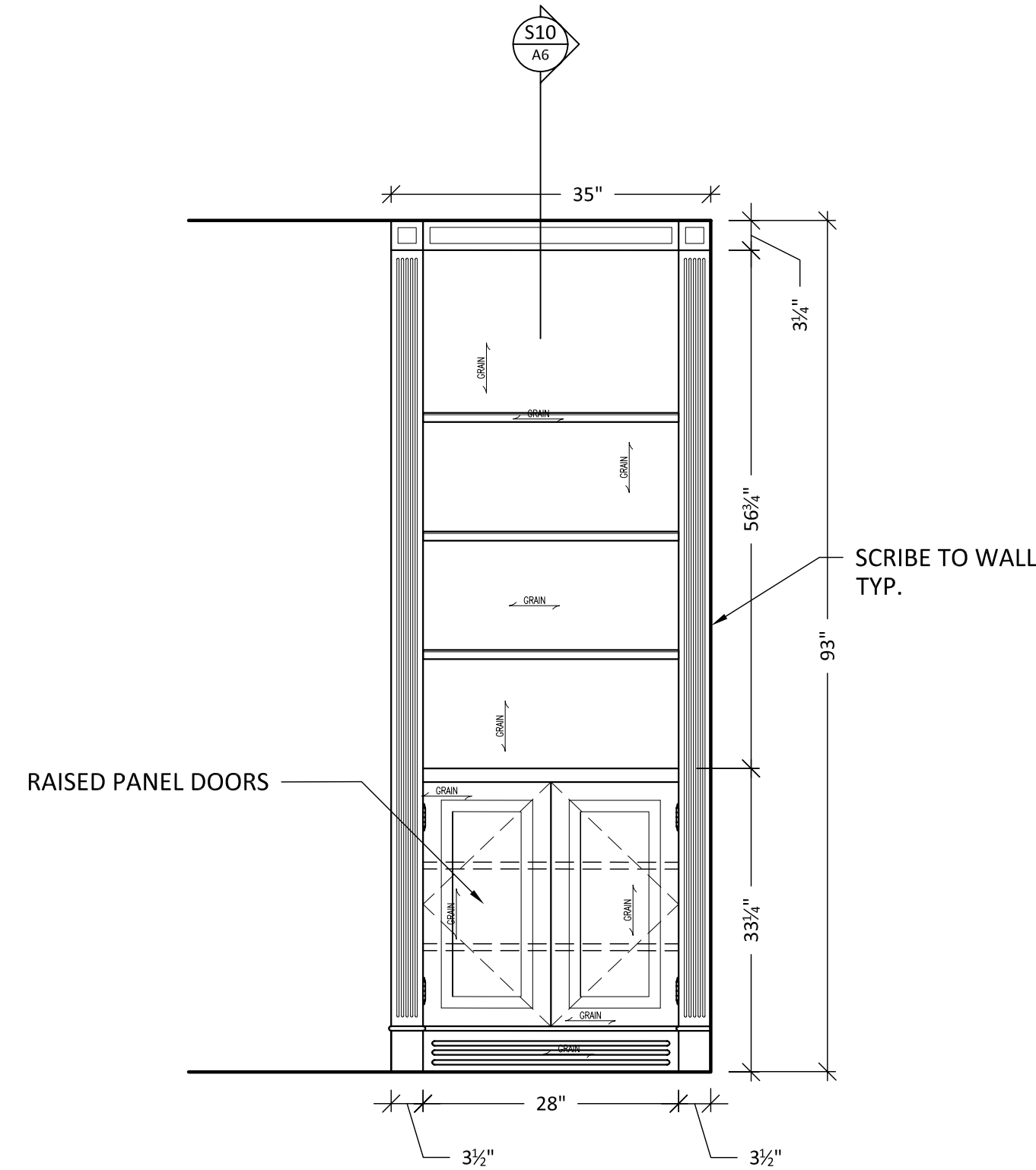
A5.1



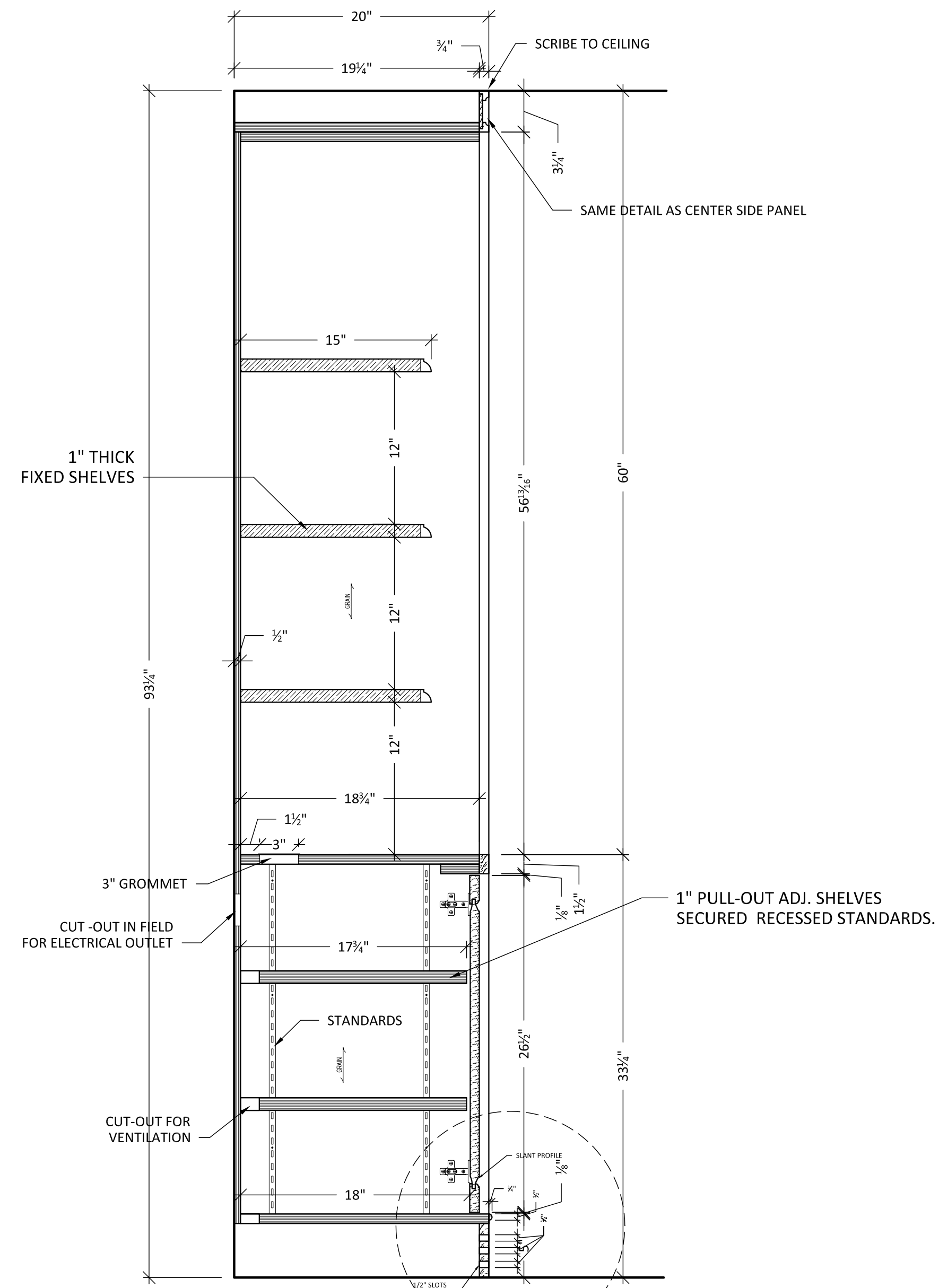
5 BUILT IN BOOKCASE
SCALE: 3/4" = 1'-0"



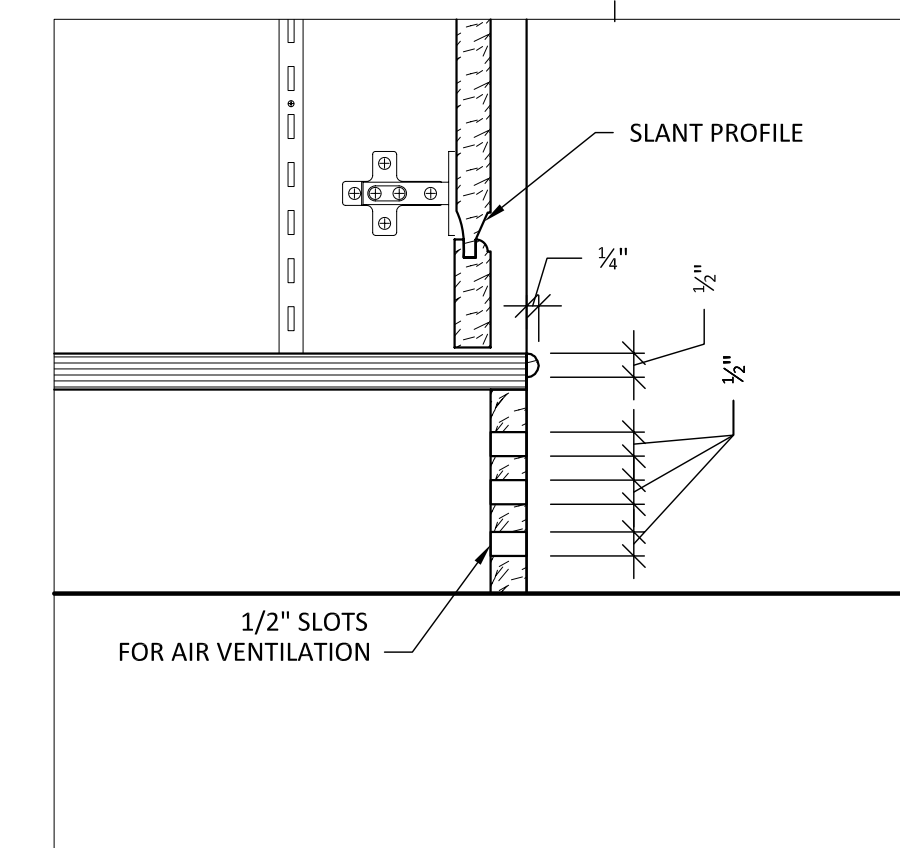
7 ELEVATION-SIDE VIEW
SCALE: 3/4" = 1'-0"



6 ELEVATION
SCALE: 3/4" = 1'-0"



S10 SECTION
SCALE: 1 1/2" = 1'-0"



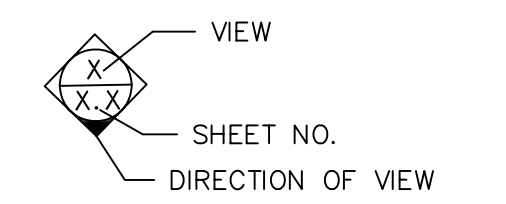
DETAIL
SCALE: 3" = 1'-0"

General Notes

SHOP NOTES:

Built-in Bookcase :
Wood – Mahogany; Wood Finish: Satin
Clear Lacquer; Color ; Stain
medium Mahogany to walnut tones.

LEGEND:



Drawn by Nemo K.

No.	Revision/Issue	Date
1	Per Markup	4-7

Firm Name and Address:

XXXXXXXXXXXXXXXXXXXX will not be liable
for any errors occurring to other trades
through the use of these schedules or
detail drawings or dimensions.
All dimensions to be verified by field
measurement prior to fabrication.

DRAWING RECORD

ARCHITECT: XXXXXXXXXXXXXXXXXXXX

CONTRACTOR:

Project Name and Address:
XXXXXXXXXXXXX Residence
New York, New York.

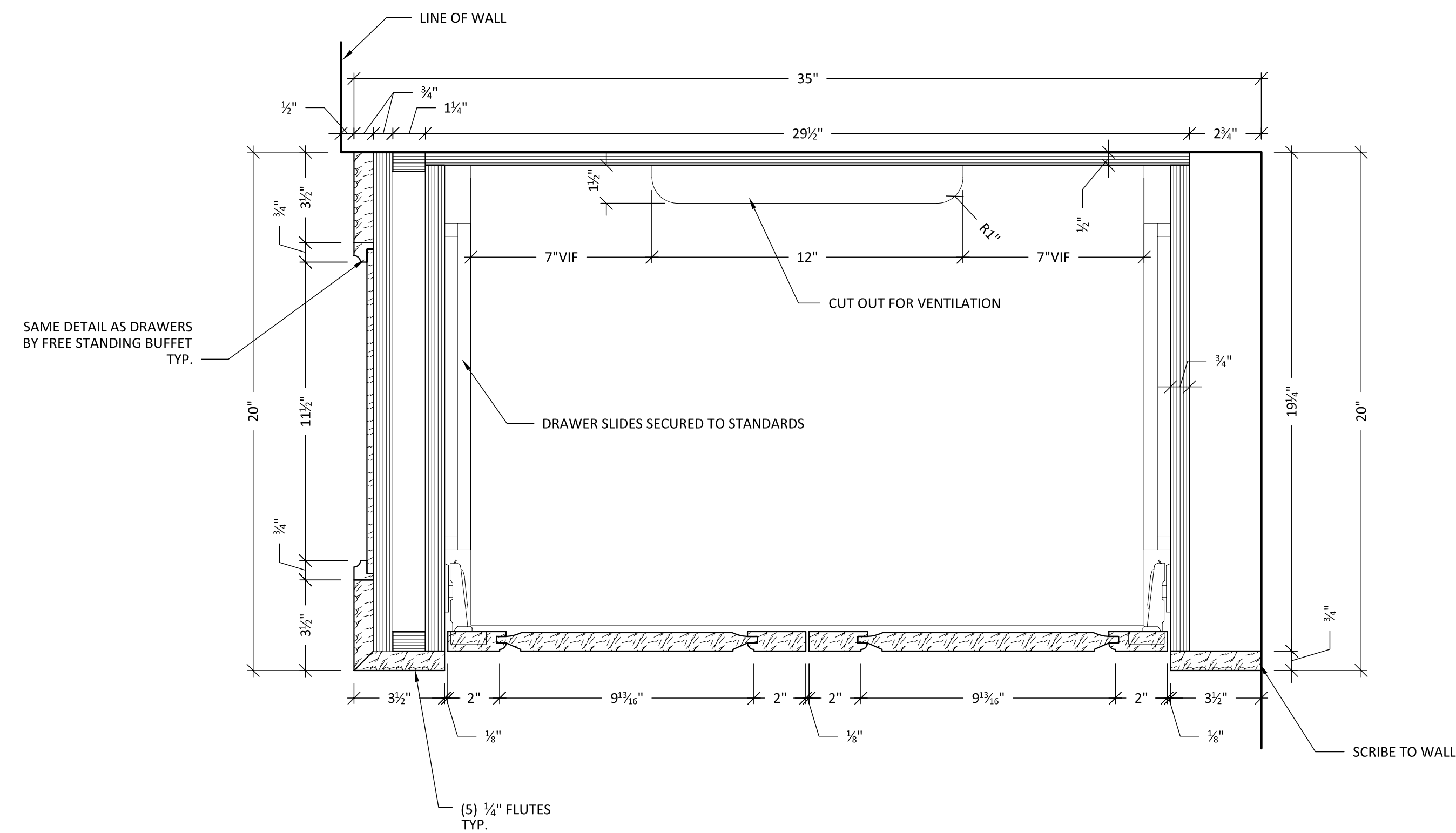
Project:

Sheet:

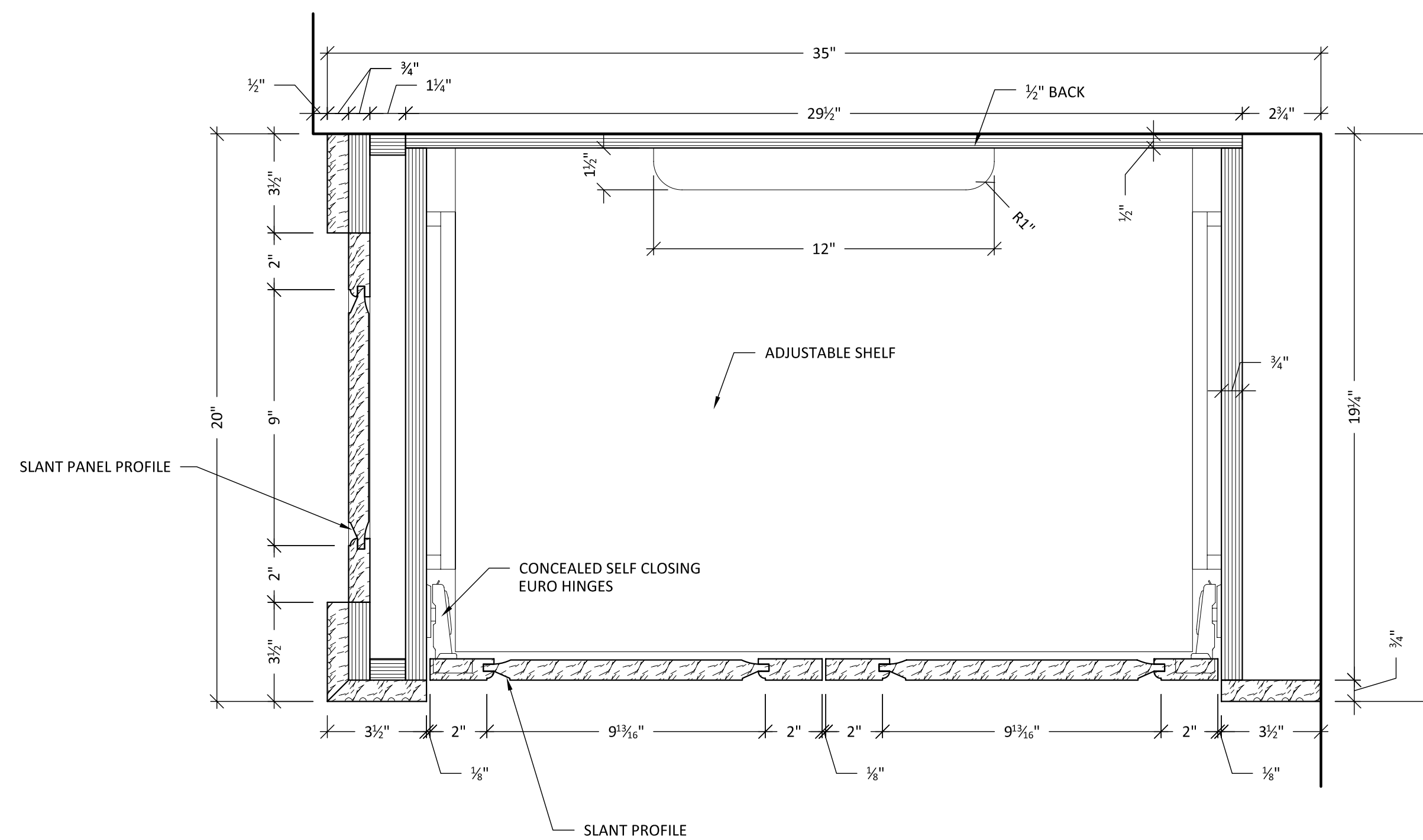
Date: 2-01-08

A6

JOB # :



S10x HORIZONTAL SECTION-RECESSED PANEL
SCALE: 3" = 1'-0"



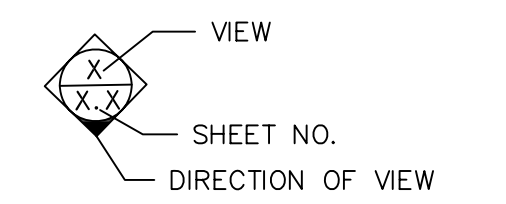
S10x HORIZONTAL SECTION-RAISED PANEL
SCALE: 3" = 1'-0"

General Notes

SHOP NOTES:

Built-in Bookcase :
Wood – Mahogany; Wood Finish: Satin
Clear Lacquer; Color ; Stain
medium Mahogany to walnut tones.

LEGEND:



Drawn by Nemo K.

No.	Revision/Issue	Date

Firm Name and Address:

XXXXXXXXXXXXXXXXXXXX will not be liable
for any errors occurring to other trades
through the use of these schedules or
detail drawings or dimensions.
All dimensions to be verified by field
measurement prior to fabrication.

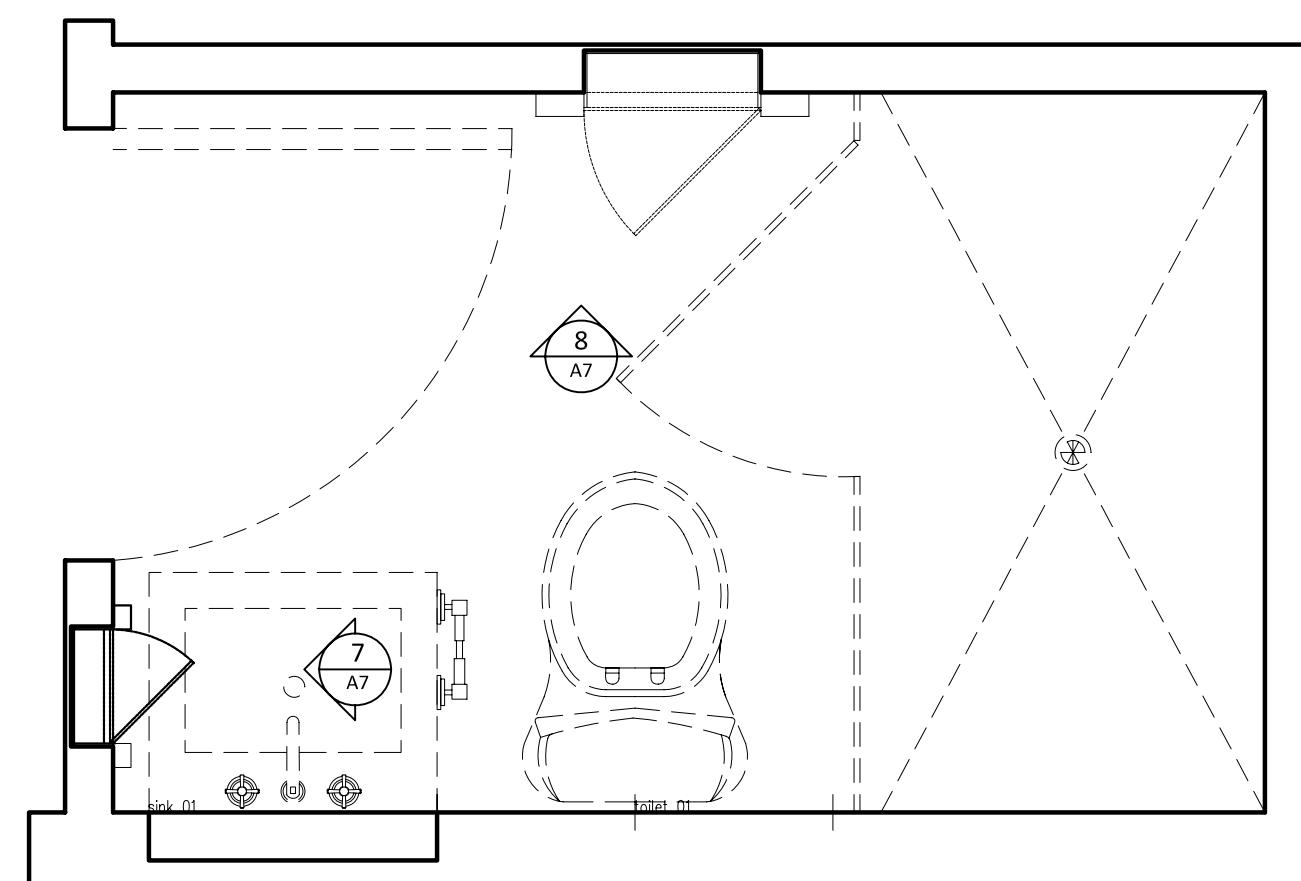
DRAWING RECORD

ARCHITECT: XXXXXXXXXXXXXXXXXXXX

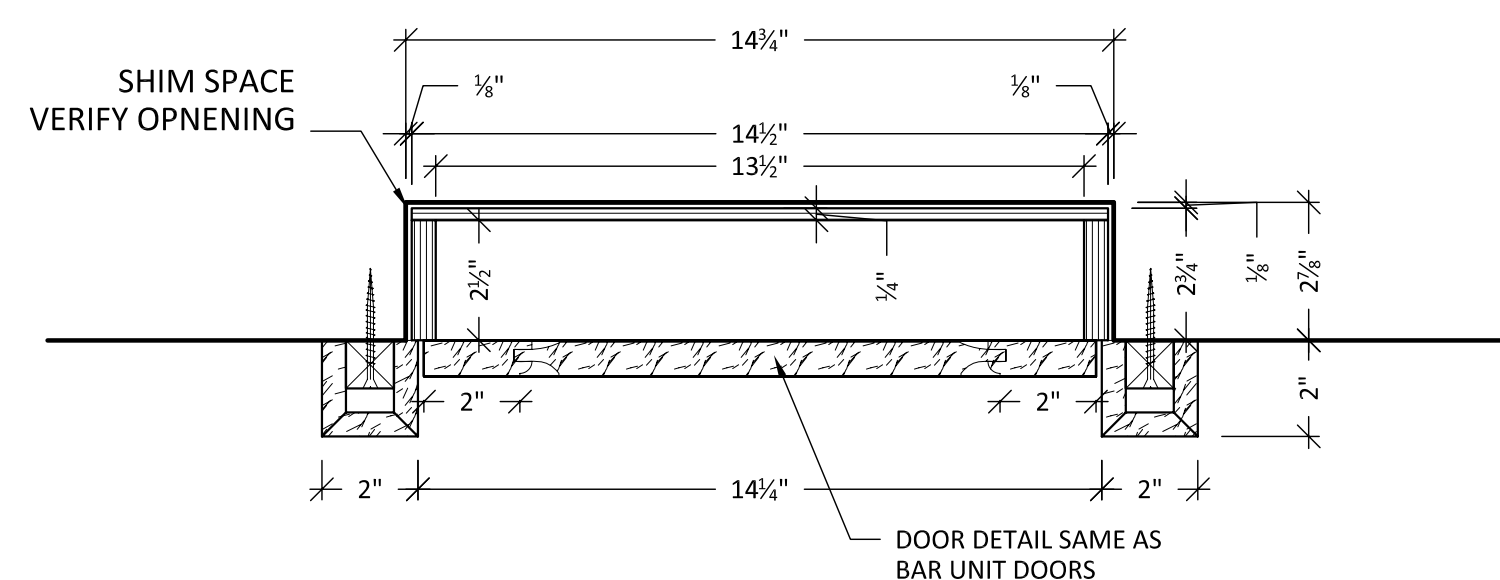
CONTRACTOR:

Project Name and Address:
XXXXXXXXXXXXX Residence
New York, New York.

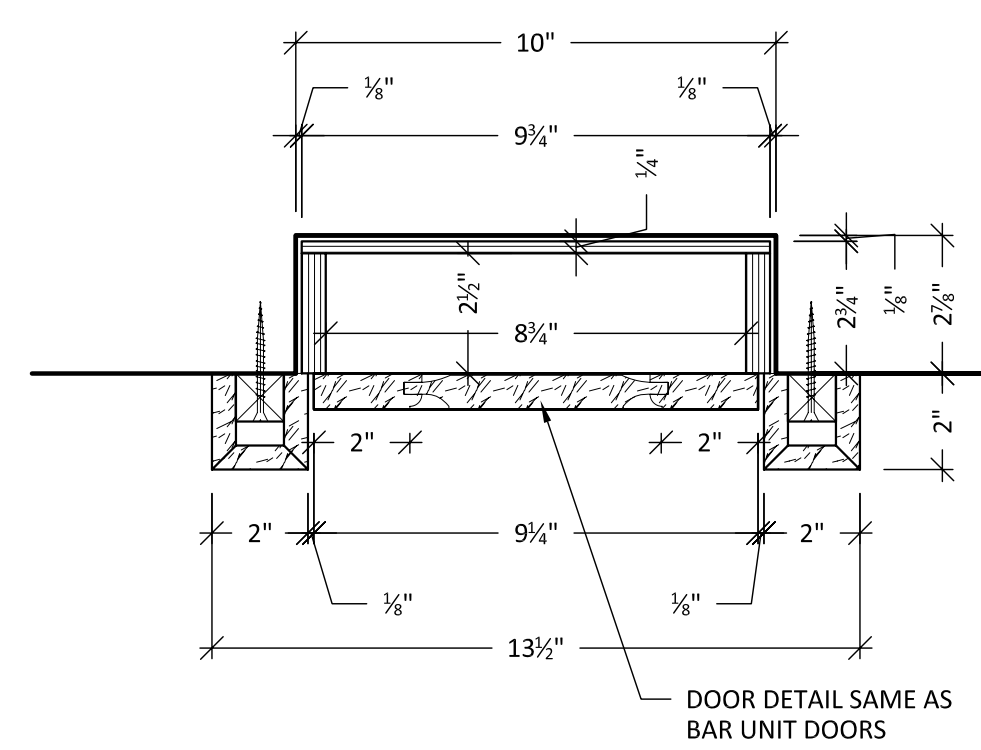
Project:	Sheet:
Date: 4-07-08	A6.1
JOB # :	



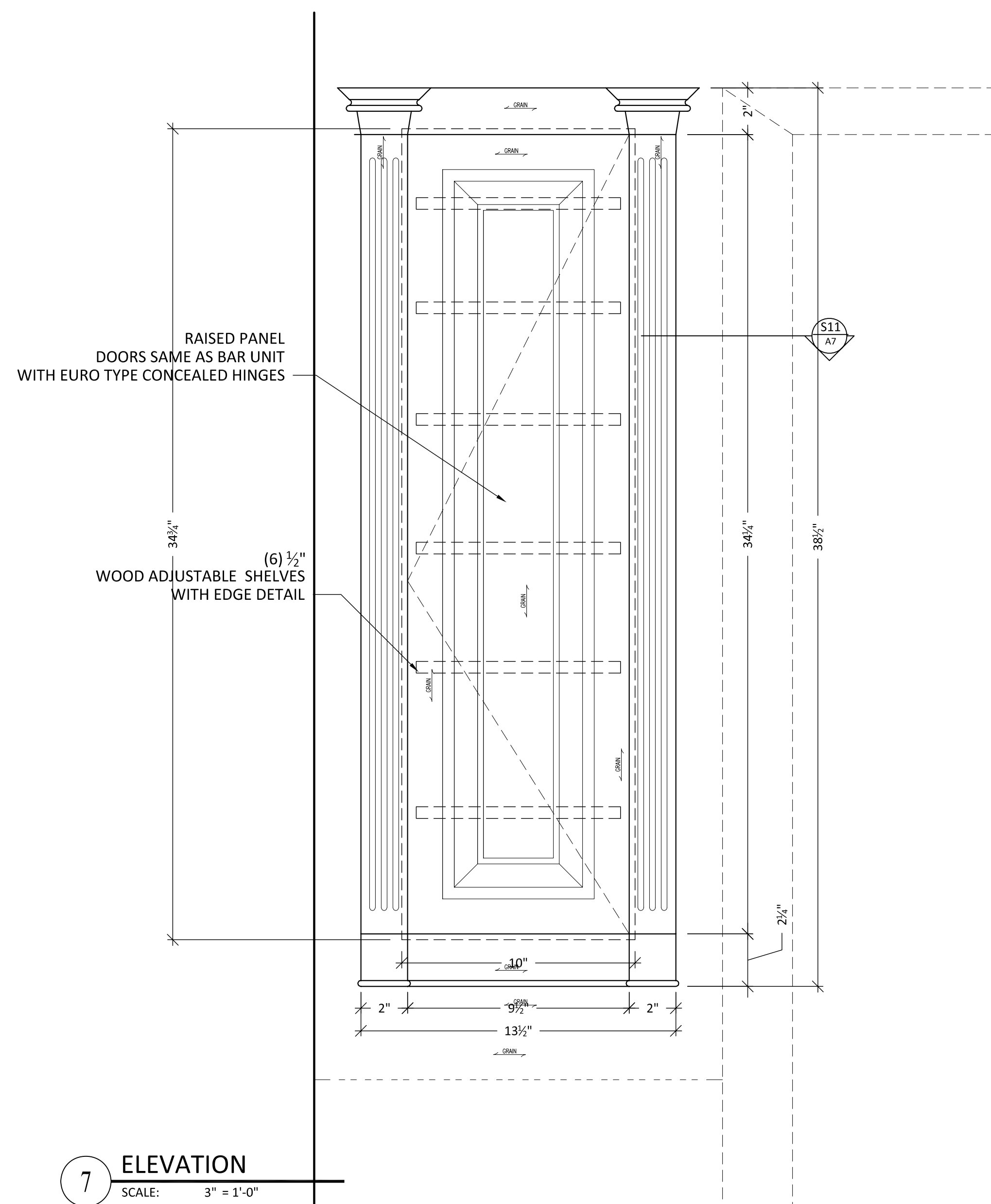
6 POWDER ROOM
SCALE: 3/4" = 1'-0"



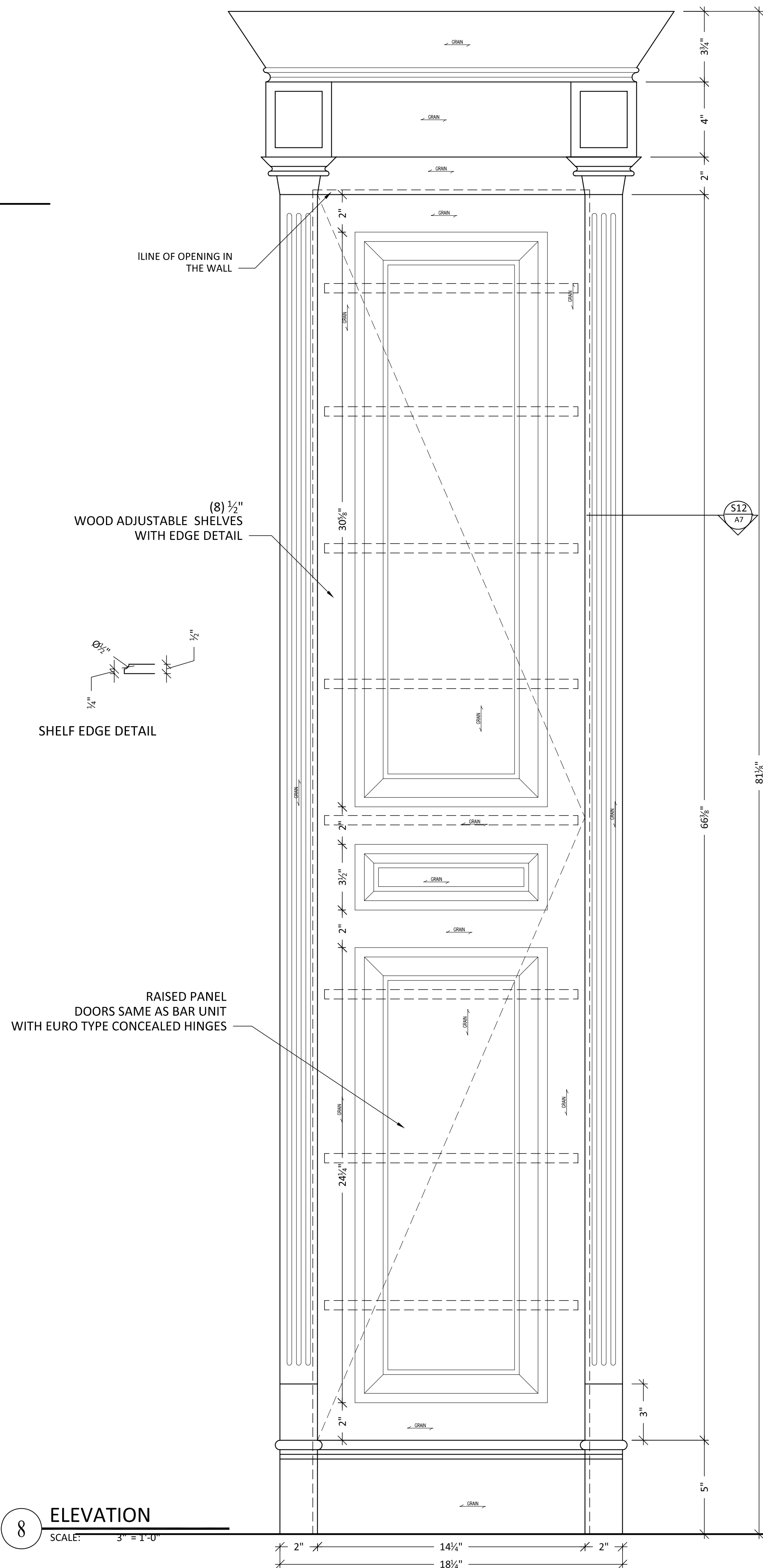
S12 SECTION
SCALE: 3" = 1'-0"



S11 SECTION
SCALE: 3" = 1'-0"



7 ELEVATION
SCALE: 3" = 1'-0"



8 ELEVATION
SCALE: 3" = 1'-0"

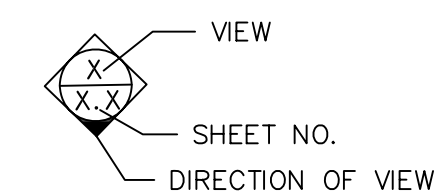
General Notes

SHOP NOTES:
Powder Room Medicine Cabinet and Full Height Vanity Storage:

Wood – Mahogany; Wood Finish: Satin Clear Lacquer; Color ; Stain medium Mahogany.

* Cabinets to be topcoat finished only on doors and interior due to recess mounting.

LEGEND:



Drawn by Nemo K.

No.	Revision/Issue	Date
1	per Markup	4-24

Firm Name and Address:

XXXXXXXXXXXXXXXXXXXX will not be liable for any errors occurring to other trades through the use of these schedules or detail drawings or dimensions. All dimensions to be verified by field measurement prior to fabrication.

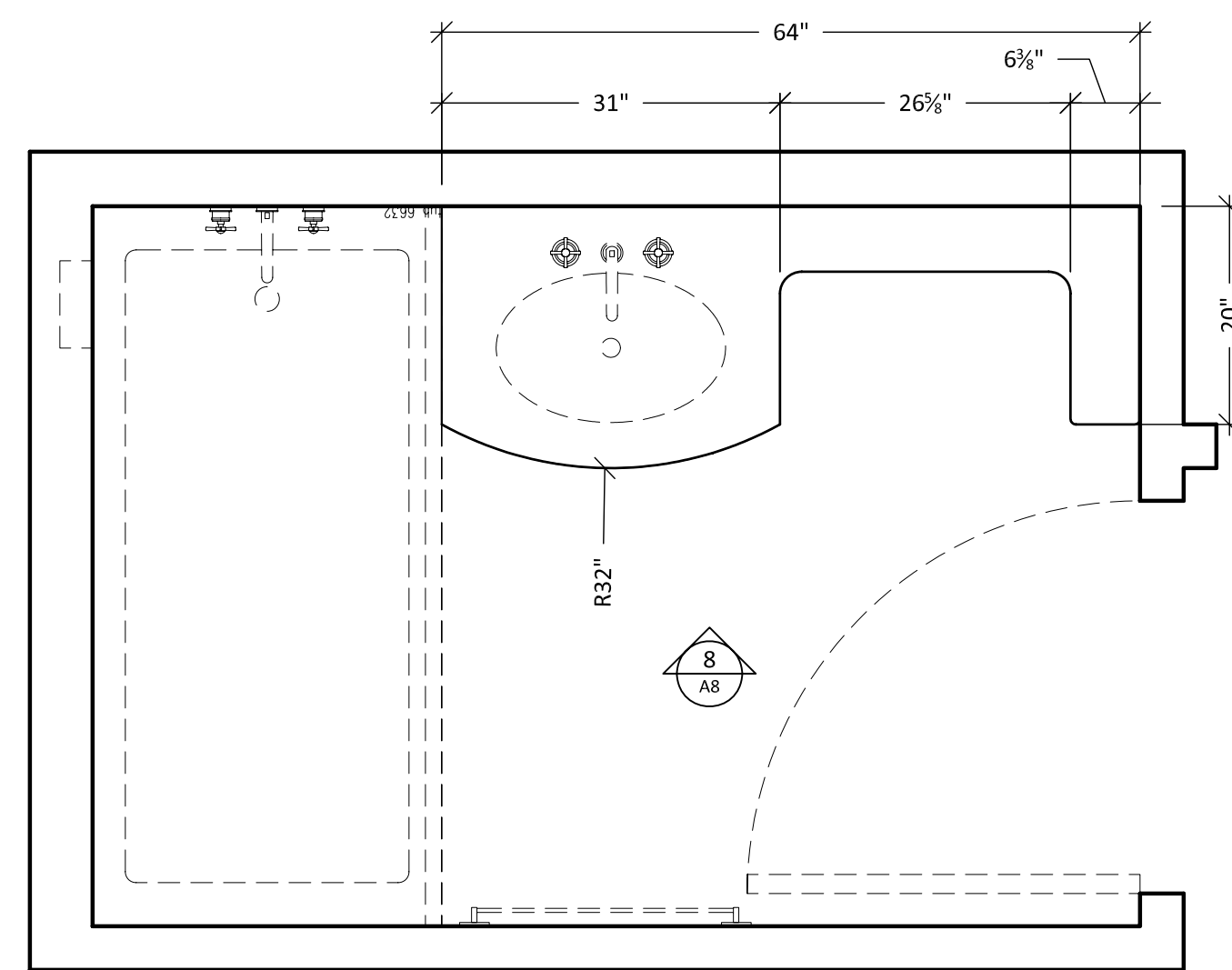
DRAWING RECORD

ARCHITECT: XXXXXXXXXXXXXXXXXXXXXXX

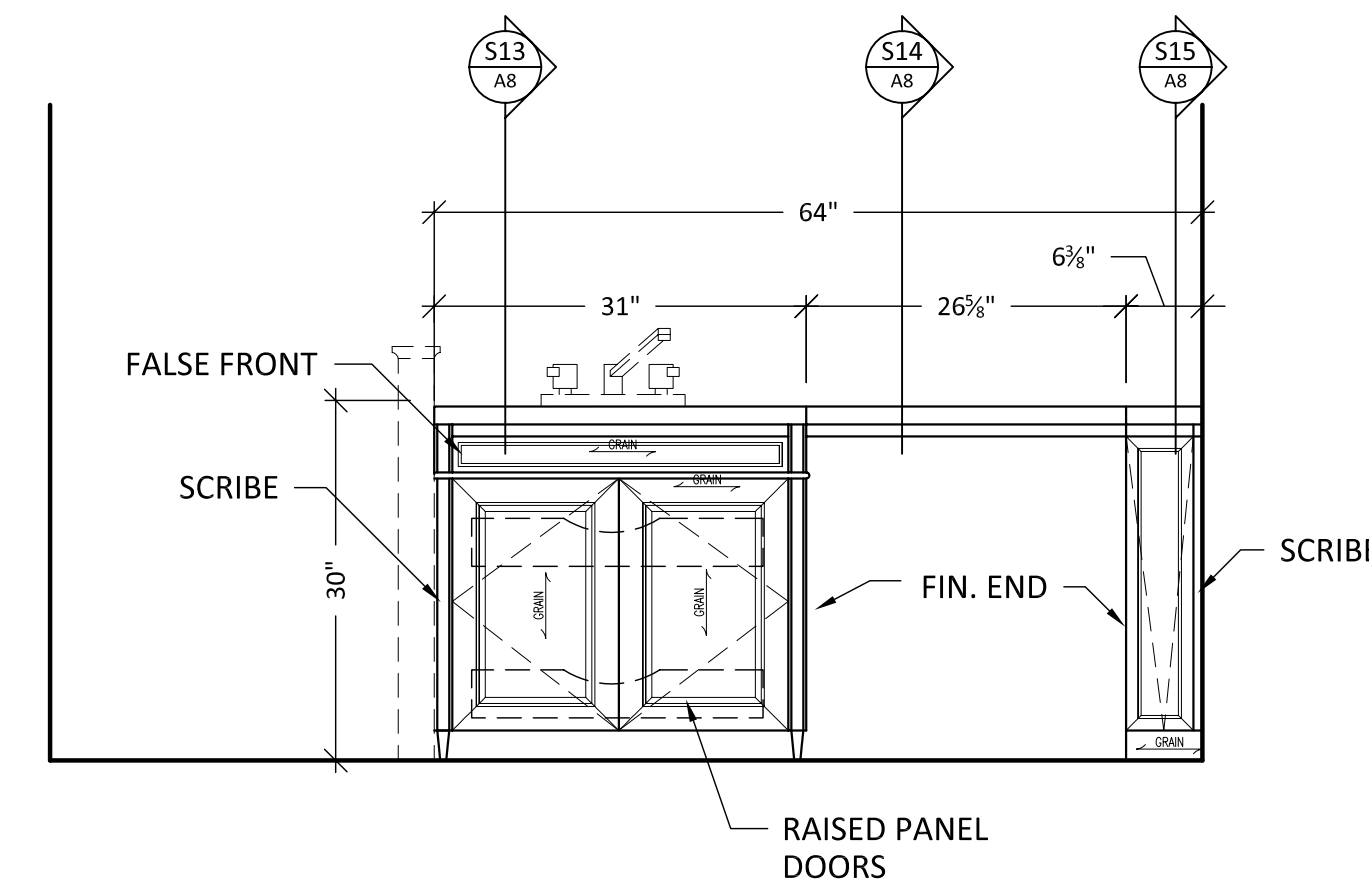
CONTRACTOR:

Project Name and Address:
XXXXXXXXXXXXX Residence
New York, New York.

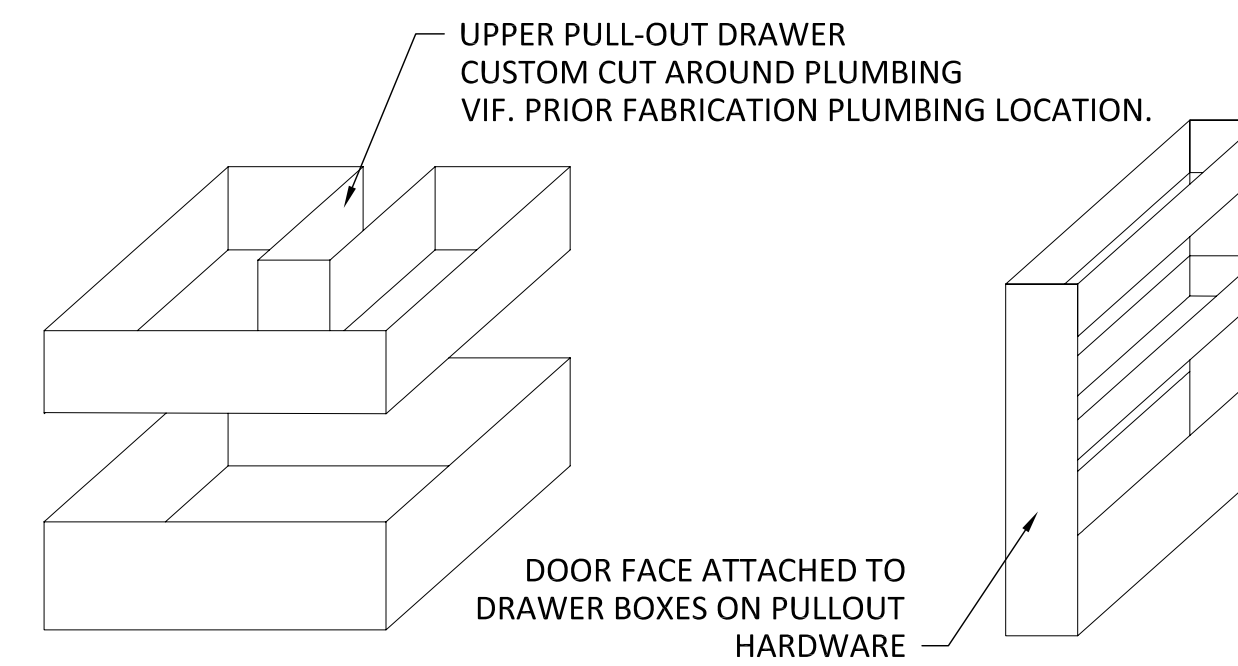
Project:	Sheet:
Date: 2-01-08	A7
JOB # :	



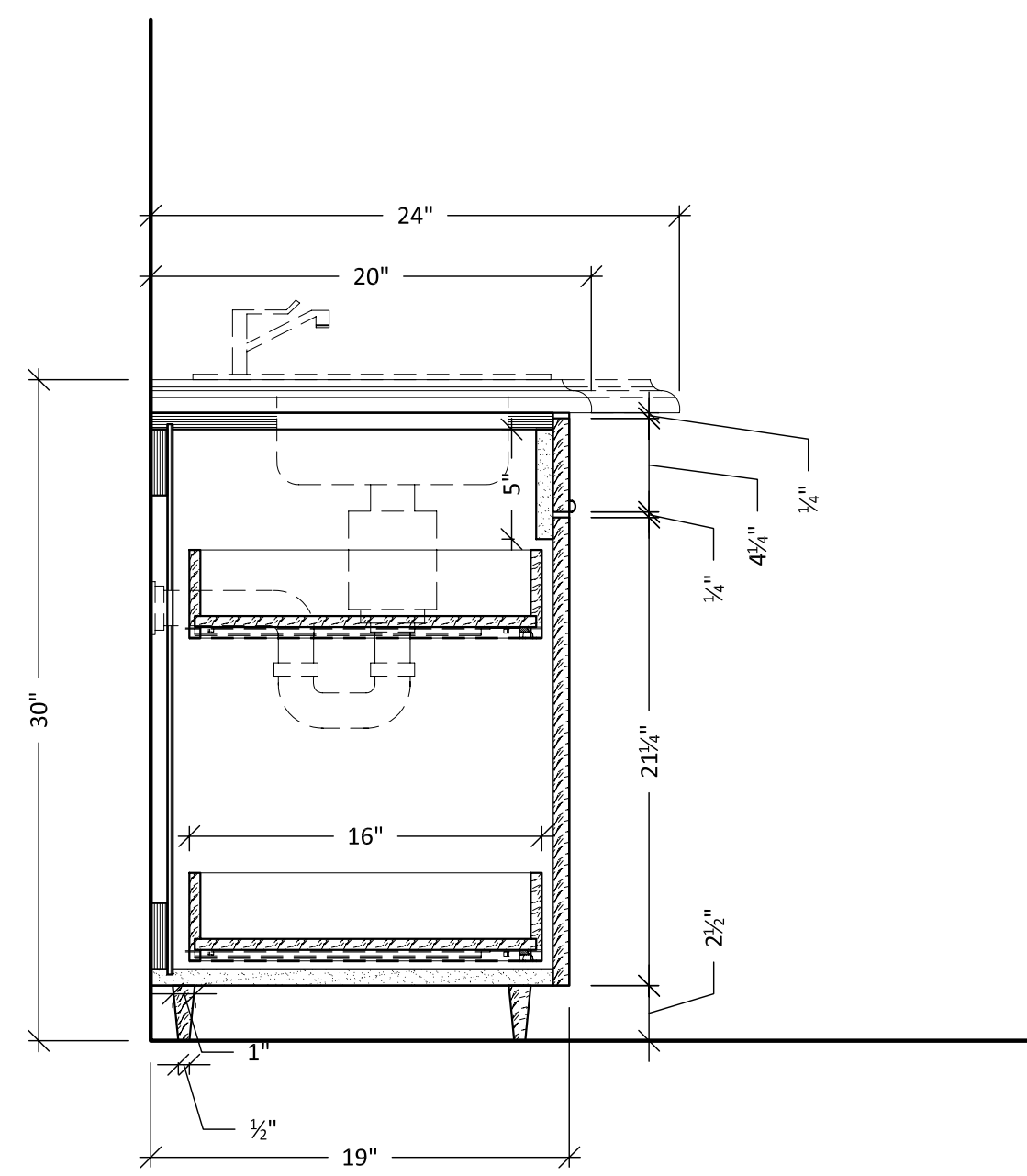
7 GUEST BATHROOM VANITY
SCALE: 3/4" = 1'-0"



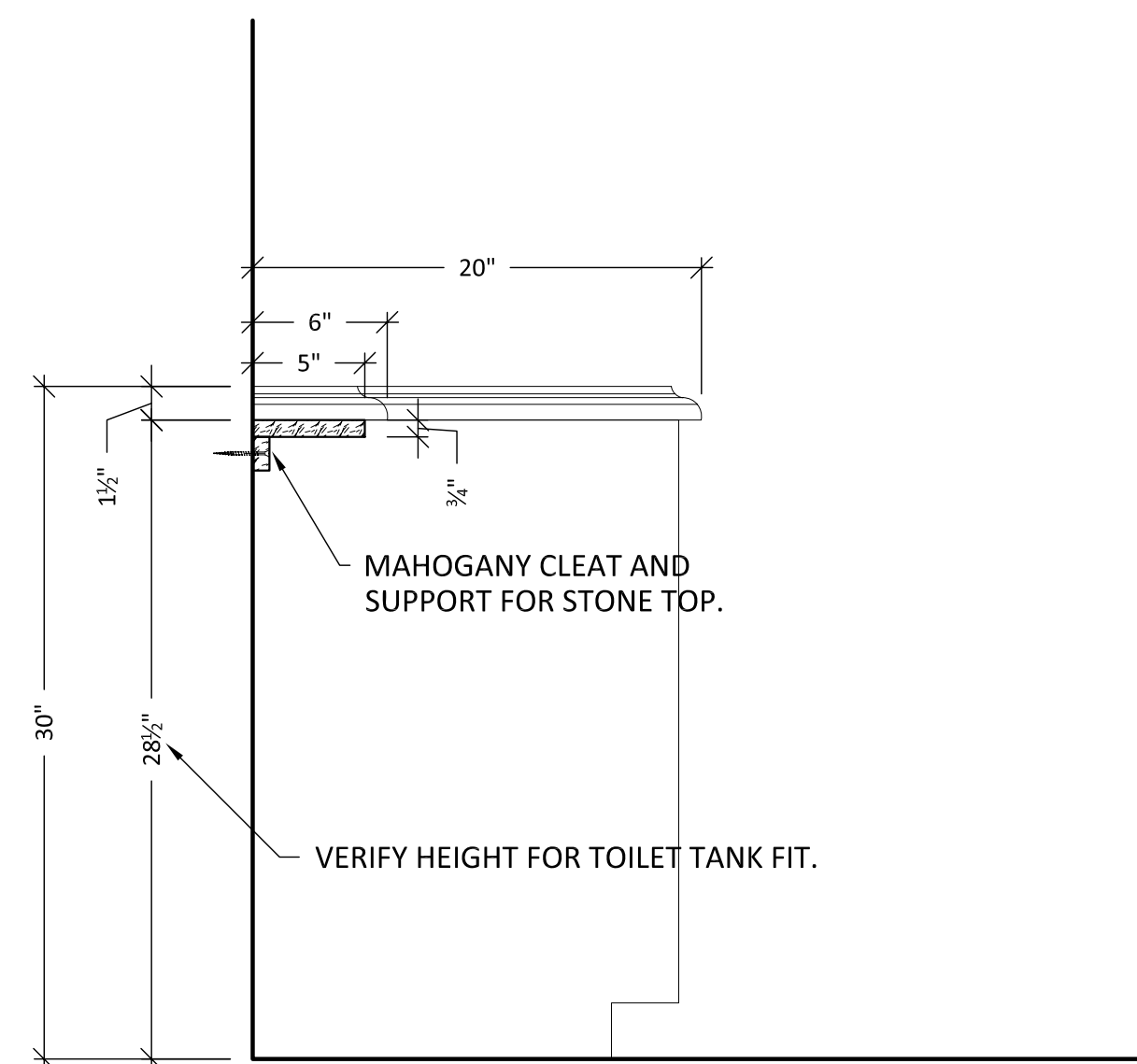
8 ELEVATION
SCALE: 3/4" = 1'-0"



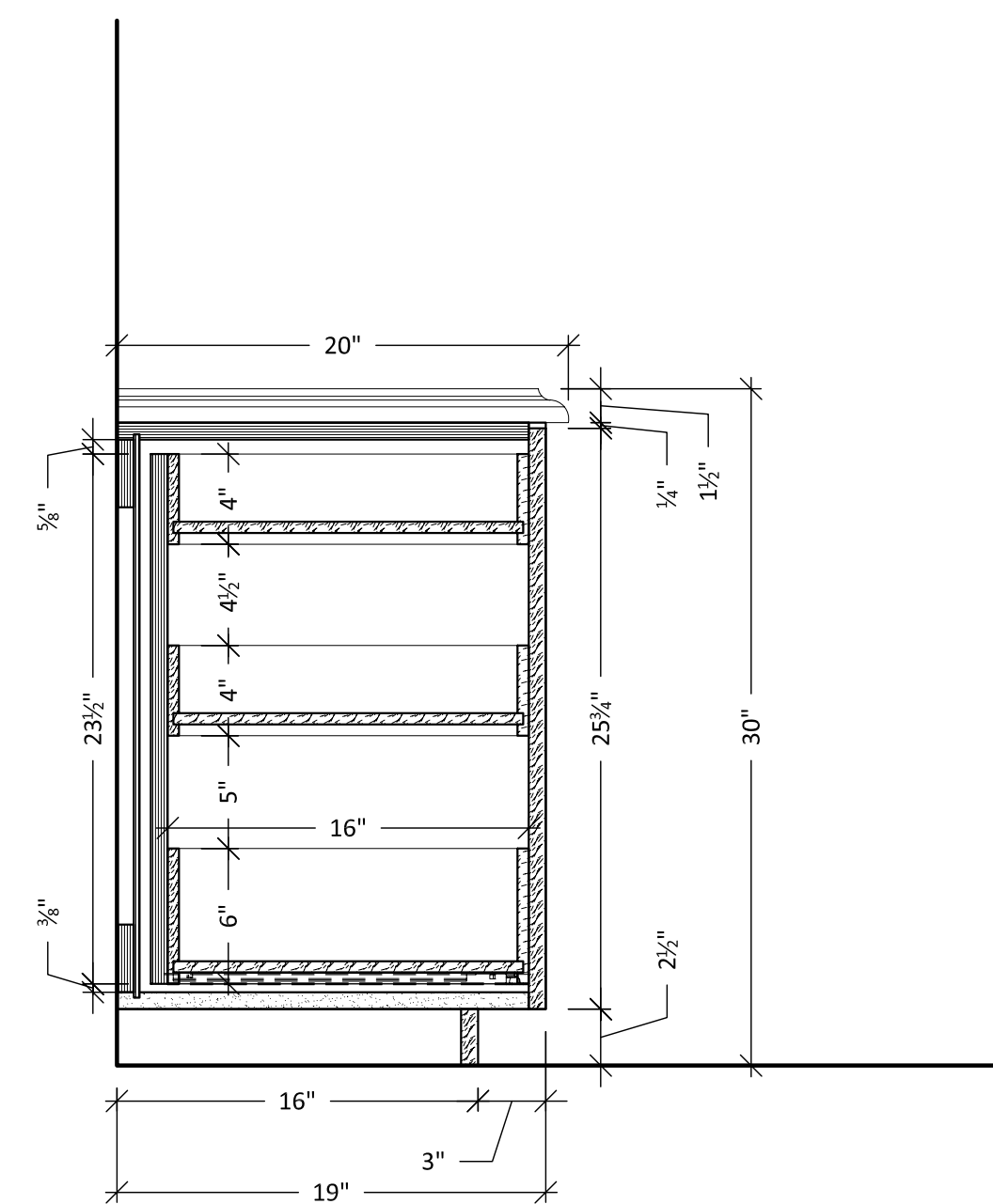
D8 DETAIL- DRWR DETAILS
SCALE: N.T.S." = 1'-0"



S13 SECTION
SCALE: 1 1/2" = 1'-0"



S14 SECTION
SCALE: 1 1/2" = 1'-0"



S15 SECTION
SCALE: 1 1/2" = 1'-0"

General Notes

SHOP NOTES:

Guest Bathroom Vanity:
Wood – Mahogany; Wood Finish: Satin Clear Lacquer; Color ; Stain medium Mahogany to Walnut tones.

* Stone top, sink and plumbing hardware to be provided by others.

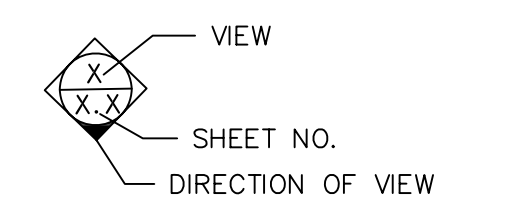
* Main vanity to have center open doors w/ finial butt hinges and ball catches with two (2) drawers mounted on full extension, bottom mount, self closing drawer slides as shown in detail.

* Drawers to be solid maple dovetail construction, stained to match

* Vertical pull-out on right to have door face attached to pull-out to maximize storage.

* Decorative wood trim that wraps around unit

LEGEND:



Drawn by Nemo K.

No.	Revision/Issue	Date

Firm Name and Address:

XXXXXXXXXXXXXXXXXXXX will not be liable for any errors occurring to other trades through the use of these schedules or detail drawings or dimensions. All dimensions to be verified by field measurement prior to fabrication.

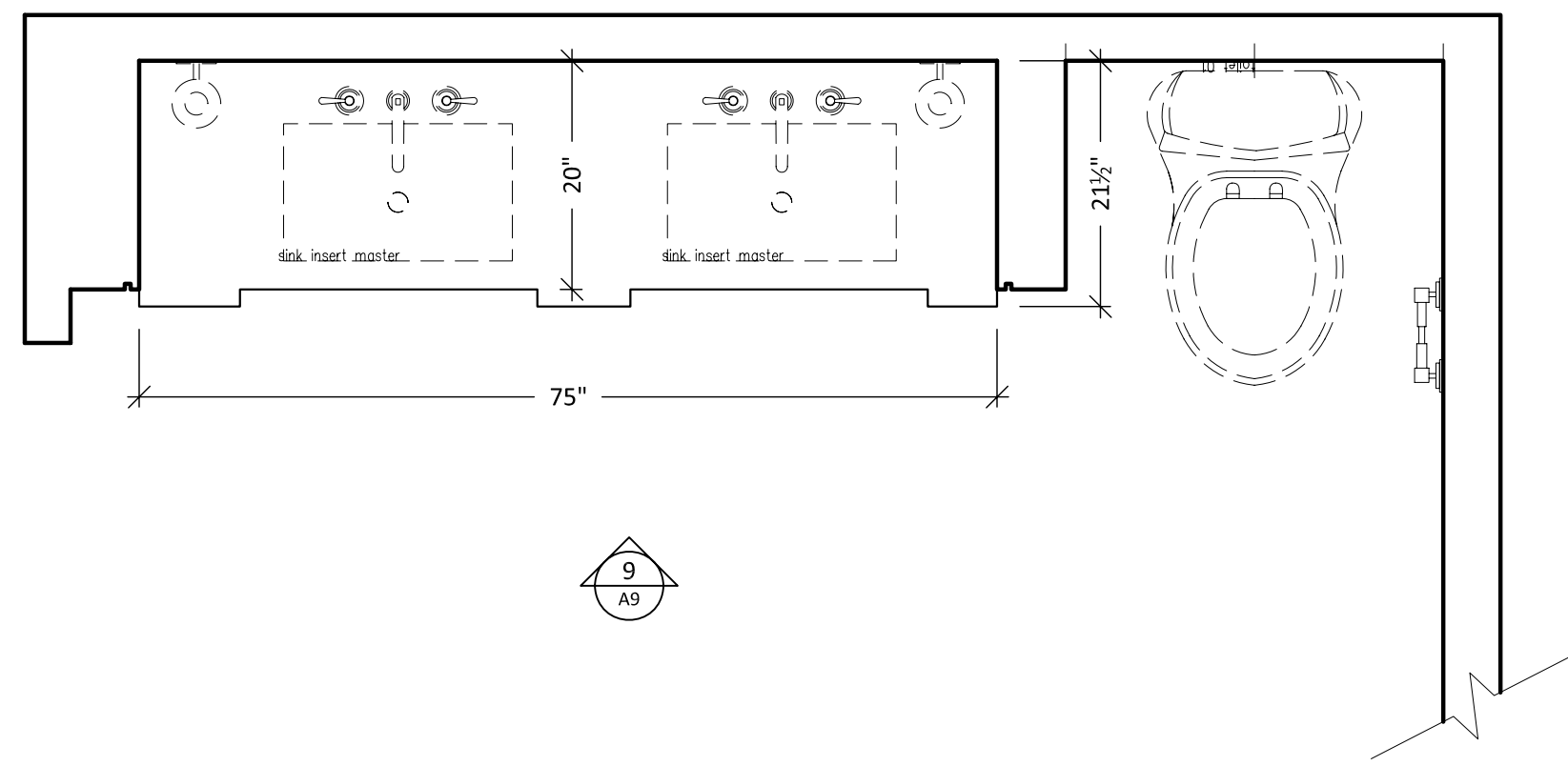
DRAWING RECORD

ARCHITECT: XXXXXXXXXXXXXXXXXXXXXXX

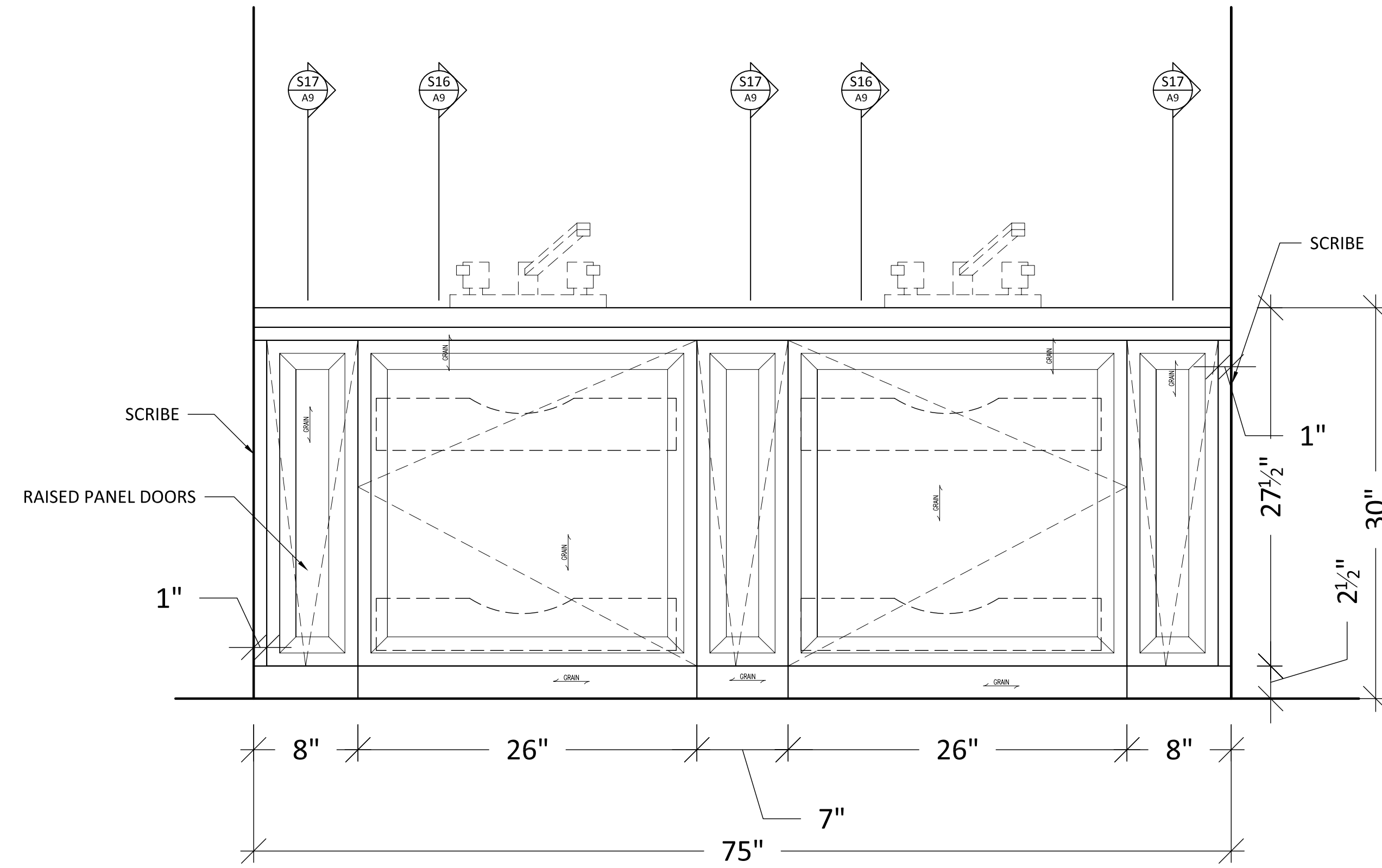
CONTRACTOR:

Project Name and Address:
XXXXXXXXXXXXX Residence
New York, New York.

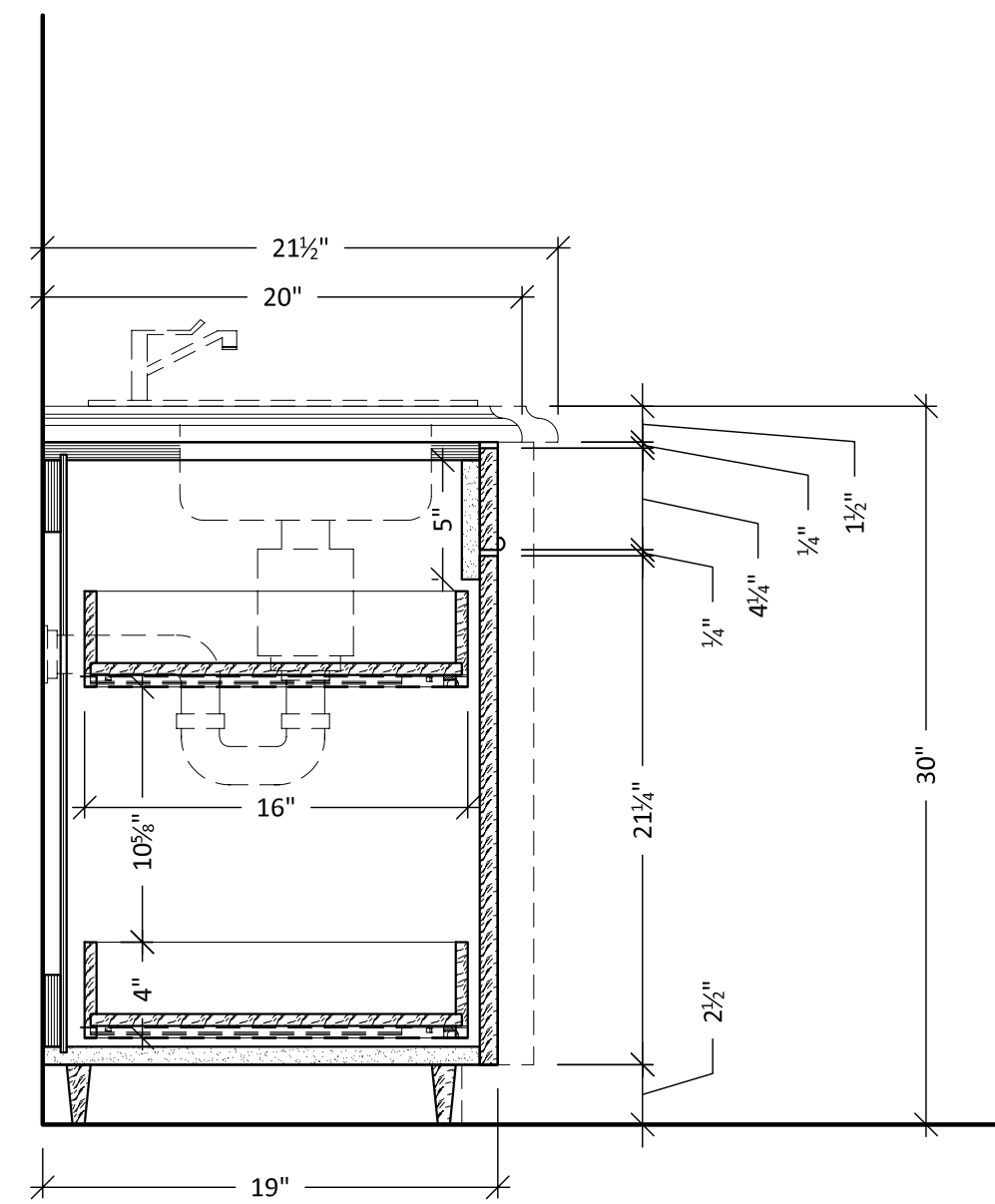
Project:	Sheet:
Date: 2-01-08	A8
JOB # :	



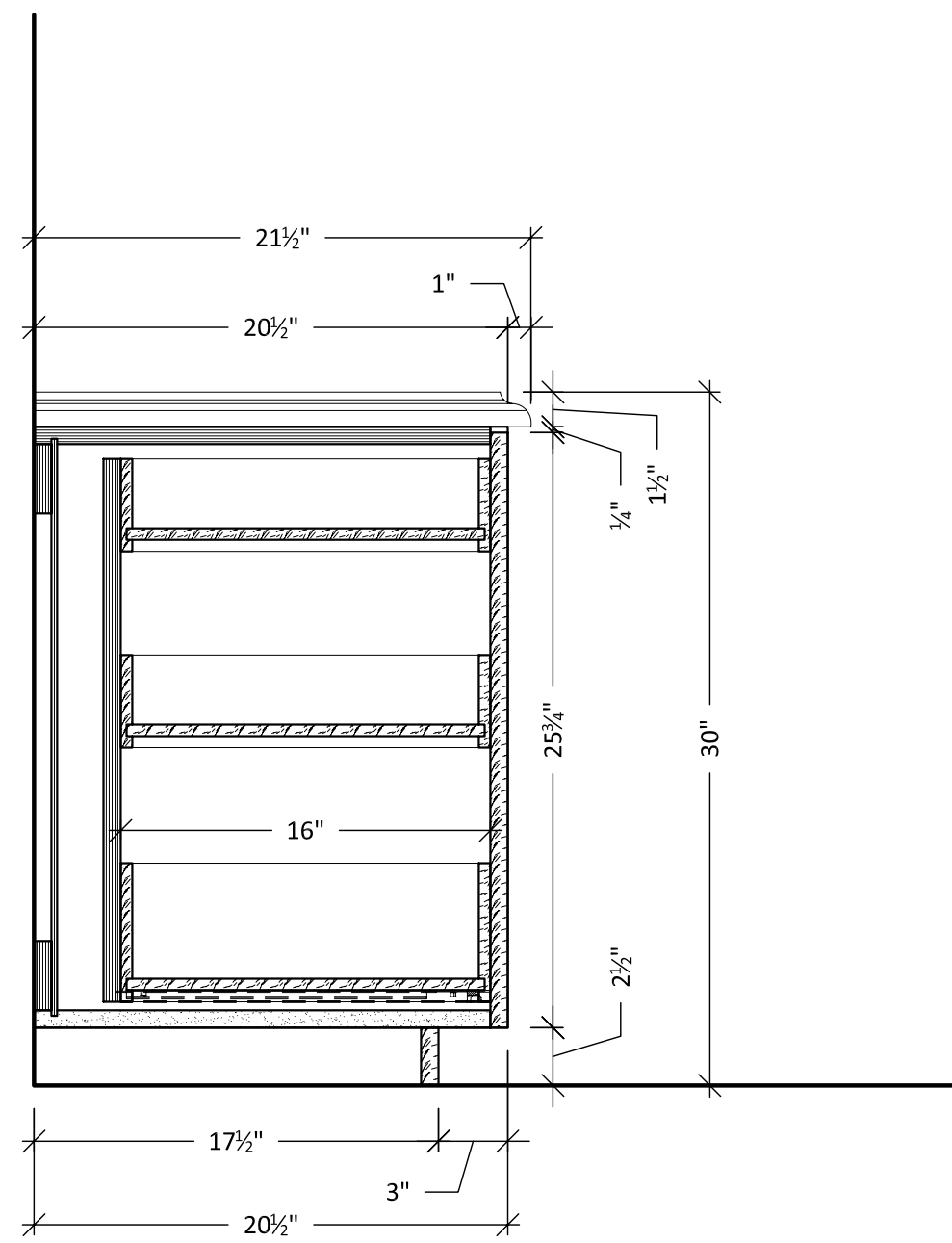
8 MASTER BATHROOM VANITY
SCALE: 3/4" = 1'-0"



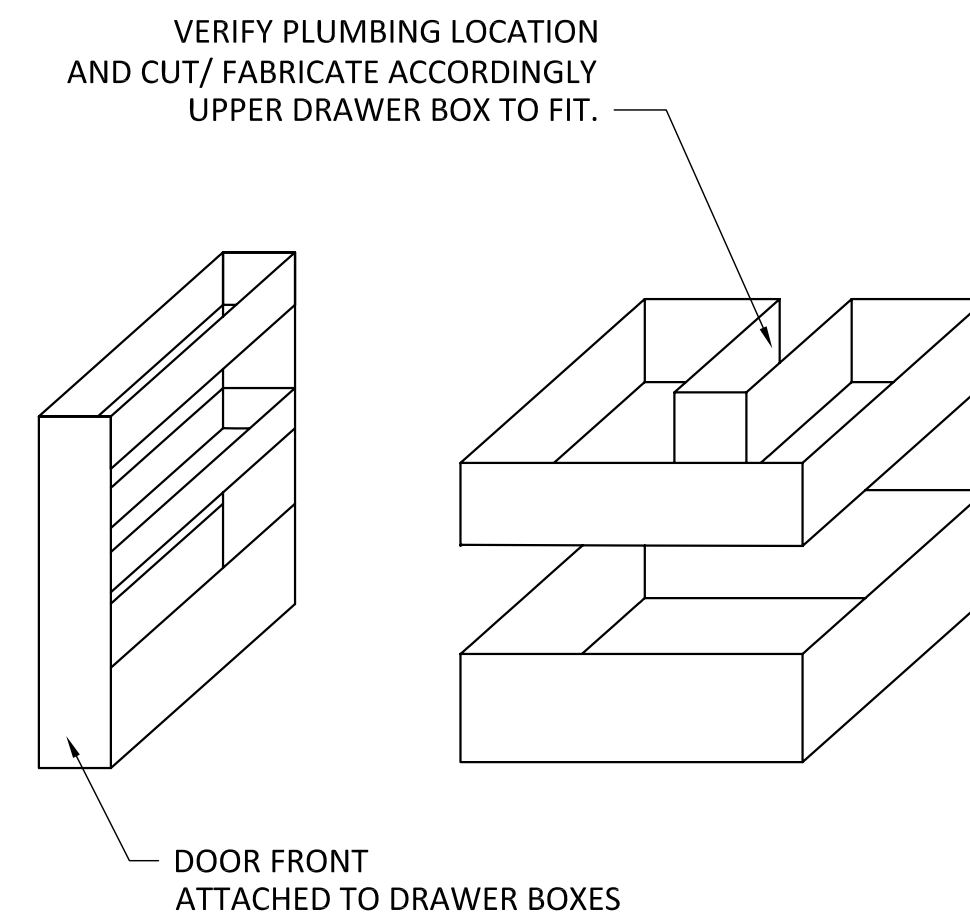
9 ELEVATION
SCALE: 3/4" = 1'-0"



S16 SECTION
SCALE: 1 1/2" = 1'-0"



S17 SECTION
SCALE: 1 1/2" = 1'-0"



D9 DETAIL- DRAWER DETAILS
SCALE: N.T.S." = 1'-0"

General Notes

SHOP NOTES:

Master Bathroom Vanity :
Wood finish: Hand painted custom finish - TBD

- * Stone top, sink and plumbing hardware to be provided by others.
- * Double doors under each sink location with (2) 4" high dovetailed pullouts on full extension, self closing, undermount drawer slides.
- * Drawers to be Solid Poplar Dovetail construction, painted antique white
- * Three (3) vertical pull-outs located left, right and center of cabinet to have door face attached to pull-out to maximize storage

LEGEND:

VIEW
SHEET NO.
DIRECTION OF VIEW

Drawn by Nemo K.

No.	Revision/Issue	Date

Firm Name and Address:

XXXXXXXXXXXXXXXXXXXXXXXXXXXX will not be liable for any errors occurring to other trades through the use of these schedules or detail drawings or dimensions.
All dimensions to be verified by field measurement prior to fabrication.

DRAWING RECORD

ARCHITECT: XXXXXXXXXXXXXXXXXXXXXXXX

CONTRACTOR:

Project Name and Address:
XXXXXXXXXXXXX Residence
New York, New York.

Project:	Sheet:
Date: 2-01-08	A9
JOB # :	